

ACP-07CIFM21AERI2
ACP-09CIFM25AERI2
ACP-12CIFM35AERI2
ACP-18CIFM50AERI2
ACP-09CTIFM26AERI2
ACP-12CTIFM35AERI2
ACP-18CTIFM50AERI2

ACP-12CCIFM35AERI2
ACP-18CCIFM53AERI2
ACP-18COFM50AERI R32
ACP-21COFM60AERI R32
ACP-27COFM79AERI R32
ACP-28COFM82AERI R32
ACP-36COFM105AERI R32
ACP-42COFM123AERI R32

EN

User manual

Air conditioning

CONTENTS

SOCIABLE REMARK

Sociable remark.....	2
----------------------	---

SAFETY PRECAUTIONS

Warning	3
Caution	4

OPERATING INSTRUCTIONS

Identification of parts.....	5
Operating temperature.....	17
Manual operation.....	17
Airflow direction control	18
How the air conditioner works	20

CARE AND MAINTENANCE

Care and maintenance	23
----------------------------	----

OPERATION TIPS

Operation tips	29
----------------------	----

TROUBLESHOOTING TIPS

Troubleshooting tips	31
----------------------------	----

CAUTION

- Contact an authorised service technician for repair or maintenance of this unit.
- Contact the installer for installation of this unit.
- The air conditioner is not intended for use by young children or invalids without supervision.
- Young children should be supervised to ensure that they do not play with the air conditioner.
- If the power cord is to be replaced, replacement work shall be performed by authorised personnel only.
- Installation work must be performed in accordance with the national wiring standards by authorised personnel only.

SOCIABLE REMARK

When using this air conditioner in the European countries, the follow information must be followed:

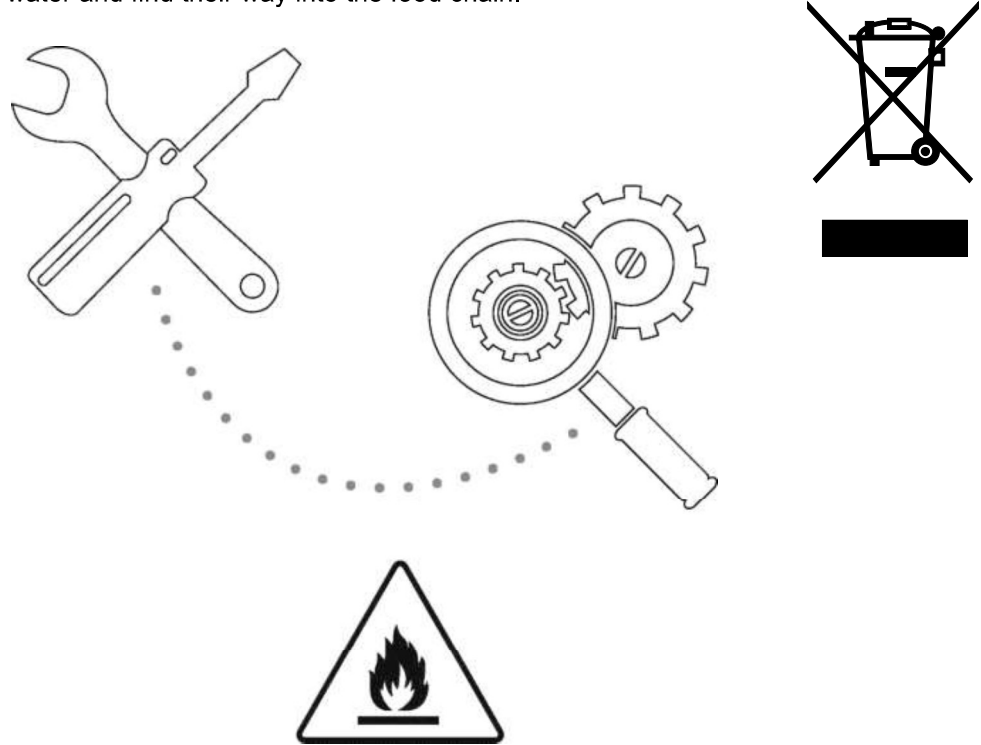
DISPOSAL: Do not dispose this product as unsorted municipal waste. Collection of such waste separately for special treatment is necessary.

It is prohibited to dispose of this appliance in domestic household waste.

For disposal, there are several possibilities:

- A) The municipality has established collection systems, where electronic waste can be disposed of at least free of charge to the user.
- B) When buying a new product, the retailer will take back the old product at least free of charge.
- C) The manufacture will take back the old appliance for disposal at least free of charge to the user.
- D) As old products contain valuable resources, they can be sold to scrap metal dealers.

Wild disposal of waste in forests and landscapes endangers your health when hazardous substances leak into the ground-water and find their way into the food chain.





Caution: Risk of fire/flamable materials. For R32 units only.

WARNING: Servicing shall only be performed as recommended by the equipment manufacturer. Maintenance and repair requiring the assistance of other skilled personnel shall be carried out under the supervision of the person competent in the use of flammable refrigerants. For more details, please refer to the "Information on servicing " on "INSTALLATION MANUAL". This is only required for the unit adopts R32 Refrigerant.



SAFETY PRECAUTIONS

To prevent injury to the user or other people and property damage, the following instructions must be followed. Incorrect operation due to ignoring of instructions may cause harm or damage.

- The seriousness is classified by the following indications.

 WARNING	This symbol indicates the possibility of death or serious injury.
 CAUTION	This symbol indicates the possibility of injury or damage to property.

- Meanings of symbols used in this manual are as shown below.

	Never do this.
	Always do this.

WARNING

① Connect with the power properly.	⊘ Do not operate or stop the unit by switching on or off the power.	⊘ Do not damage or use an unspecified power cord.
● Otherwise, it may cause electric shock or fire due to excess heat generation.	● It may cause electric shock or fire due to heat generation.	● It may cause electric shock or fire.
⊘ Do not modify power cord length or share the outlet with other appliances	⊘ Do not operate with wet hands or in damp environment.	⊘ Do not direct airflow at room occupants only.
● It may cause electric shock or fire due to heat generation.	● It may cause electric shock.	● This could damage your health.
① Always ensure effective grounding.	⊘ Do not allow water to run into electric parts.	① Always install circuit breaker and a dedicated power circuit.
● No grounding may cause electric shock.	● It may cause failure of machine or electric shock.	● No installation may cause fire and electric shock.
① Disconnect the power if strange sounds, smell, or smoke comes from it.	⊘ Do not drink water drained from air conditioner.	⊘ Do not open the unit during operation.
● It may cause fire and electric shock.	● It contains contaminants and could make you sick.	● It may cause electric shock.
① Use the correctly rated breaker or fuse.	⊘ Do not use the power cord close to heating appliances	⊘ Do not use the power cord near flammable gas or combustibles, such as gasoline, benzene, thinner, etc.
● There is risk of fire or electric shock.	● It may cause fire and electric shock.	● It may cause an explosion or fire.
① Ventilate room before operating air conditioner if there is a gas leakage from another appliance.	⊘ Do not disassemble or modify unit.	
● It may cause explosion, fire and, burns.	● It may cause failure and electric shock.	

SAFETY PRECAUTIONS

⚠ CAUTION

ⓘ When the air filter is to be removed, do not touch the metal parts of the unit.

- It may cause an injury.

ⓘ When the unit is to be cleaned, switch off, and turn off the circuit breaker.

- Do not clean unit when power is on as it may cause fire and electric shock, it may cause an injury.

ⓘ Stop operation and close the window in storm or hurricane.

- Operation with windows opened may cause wetting of indoor and soaking of household furniture.

ⓘ Do not use strong detergent such as wax or thinner. Use a soft cloth for cleaning.

- Appearance may be deteriorated due to change of product color or scratching of its surface.

ⓘ Do not place heavy object on the power cord and take care so that the cord is not compressed.

- Do not operate your air conditioner in a wet room such as a bathroom or laundry room.

ⓘ This appliance can be used by children aged from 8 years and above and persons with reduced physical, sensory or mental capabilities or lack of experience and knowledge if they have been given supervision or instruction concerning use of the appliance in a safe way and understand the hazards involved. Children shall not play with the appliance. Cleaning and user maintenance shall not be made by children without supervision.

ⓘ Do not clean the air conditioner with water.

- Water may enter the unit and degrade the insulation. It may cause an electric shock.

ⓘ Do not put a pet or house plant where it will be exposed to direct air flow.

- This could injure the pet or plant.

ⓘ Do not place obstacles around air-inlets or inside of air-outlet.

- It may cause failure of appliance or accident.

ⓘ Ensure that the installation bracket of the outdoor appliance is not damaged due to prolonged exposure.

- If bracket is damaged, there is concern of damage due to falling of unit.

ⓘ Use caution when unpacking and installing. Sharp edges could cause injury.

- Children should be supervised to ensure that they do not play with the appliance.

ⓘ This appliance is not intended for use by persons (including children) with reduced physical, sensory or mental capabilities, or lack of experience and knowledge, unless they have been given supervision or instruction concerning use of the appliance by a person responsible for their safety.

ⓘ Ventilate the room well when used together with a stove, etc.

- An oxygen shortage may occur.

ⓘ Do not use for special purposes.

- Do not use this air conditioner to preserve precision devices, food, pets, plants, and art objects. It may cause deterioration of quality, etc.

ⓘ Turn off the main power switch when not using the unit for a long time.

- It may cause failure of product or fire.

ⓘ Always insert the filters securely. Clean filter once every two weeks.

- Operation without filters may cause failure.

ⓘ If water enters the unit, turn the unit off and disconnect the power, contact a qualified service technician.

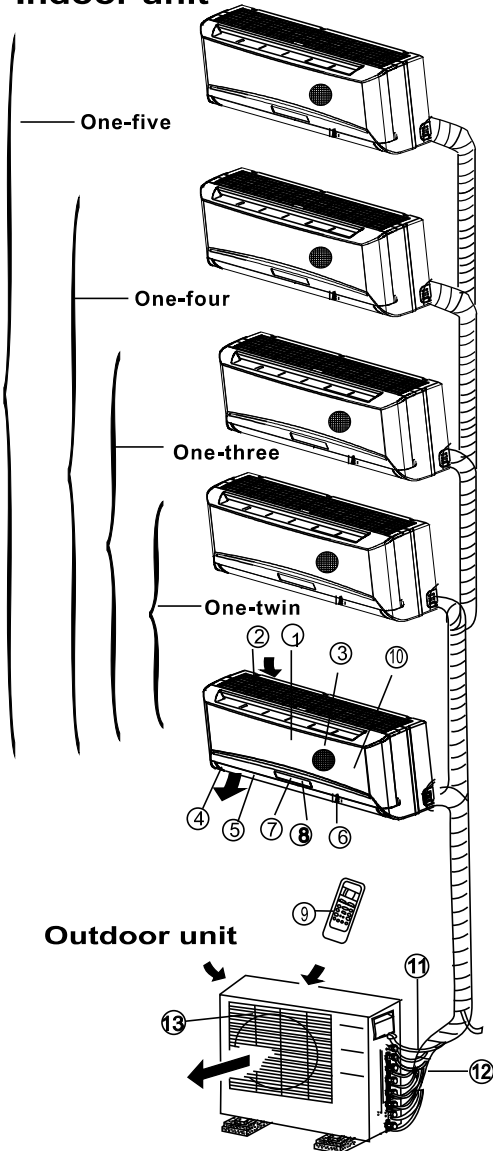
- There is danger of fire or electric shock.

ⓘ If the supply cord is damaged, it must be replaced by the manufacturer, its service agent or similarly qualified persons in order to avoid a hazard.

OPERATING INSTRUCTIONS

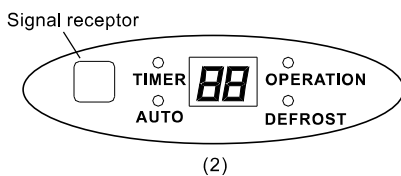
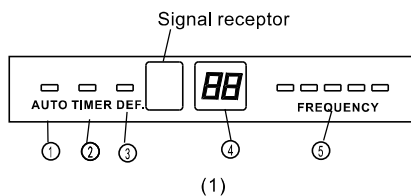
Identification of parts

Indoor unit



Outdoor unit

LED Display panel



IMPORTANT:

- For multi-split type air conditioner, one outdoor unit can match different types of indoor units. So all the pictures in this manual are for explanation purpose only. Your air conditioner may be slightly different. The actual shape shall prevail.
- The following pages introduce several kinds of indoor units matching with the outdoor units.

Indoor unit

1. Front panel
2. Top air intake
3. Air filter(Inside)
4. Air outlet
5. Horizontal air flow louver
6. Vertical air flow louver(Internal)
7. Display panel
8. LED display window
9. Remote controller
10. Manual control button(Behind the front panel)

Outdoor unit

11. Refrigerant connecting pipe, drain hose and electric wiring
12. Stop valve
13. Air outlet

Display panel

AUTO indication lamp

Lights up during the Auto operation.

TIMER indication lamp

Lights up during Timer operation.

DEFROST indication lamp

(For Cooling & Heating models only):
Lights up when the air conditioner starts defrosting automatically or when the warm air control feature is activated in heating operation.

DIGITAL DISPLAY indication lamp

Displays the current setting temperature. Only when the air conditioner is in FAN operation, it displays the actual room temperature. And displays the malfunction code or protection code.

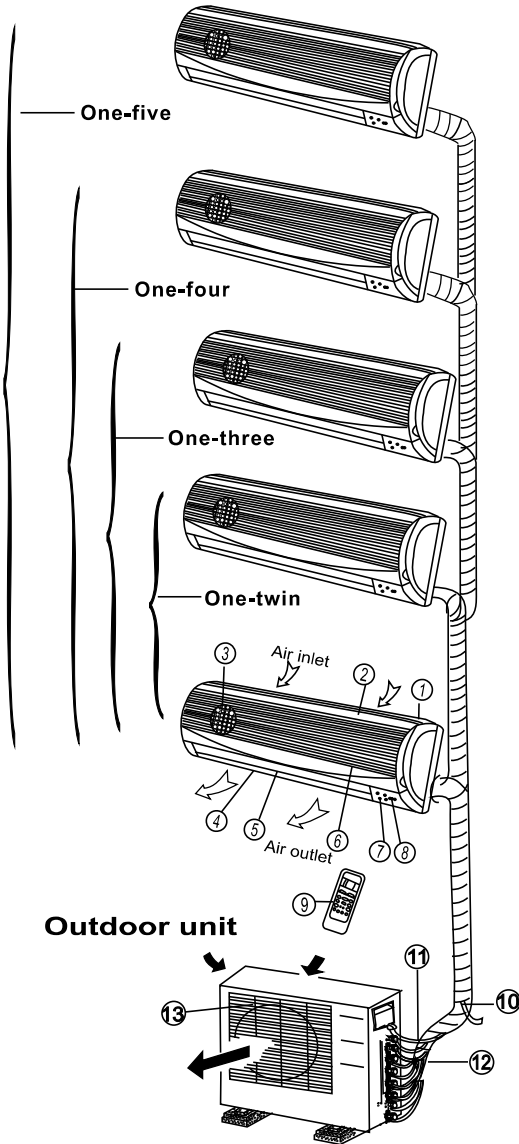
OPERATION indication lamp

This indicator appears only when the compressor is in operation and indicates the current operating frequency.

OPERATING INSTRUCTIONS

Identification of parts

Indoor unit



Indoor unit

- ① Front panel frame
- ② Front panel
- ③ Air filter
- ④ Horizontal air flow grille
- ⑤ Vertical air flow louver
- ⑥ Room temperature sensor
- ⑦ Display panel
- ⑧ Infrared signal receiver
- ⑨ Remote controller

Outdoor unit

- ⑩ Drain hose, refrigerant connecting pipe
- ⑪ Connective cable
- ⑫ Stop valve
- ⑬ Fan hood

DISPLAY PANEL

OPERATION indicator:

The indicator flashes once every second after power is on and illuminates when the air conditioner is in operation.

TIMER indicator:

The indicator illuminates when TIMER is set ON.

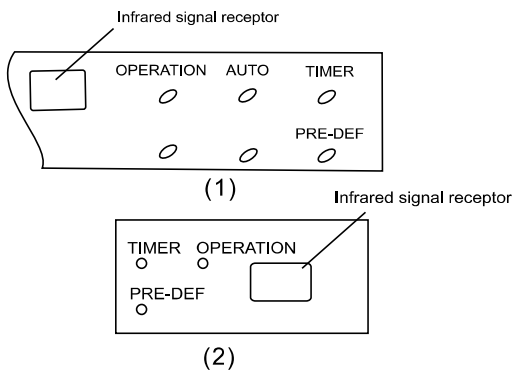
PRE-DEF. Indicator (For cooling& heating model only):

This indicator illuminates when the air conditioner starts defrosting automatically or when the Anti-cold air function is activated in heating operation.

AUTO indicator:

This indicator flashes when the air conditioner is in AUTO operation.

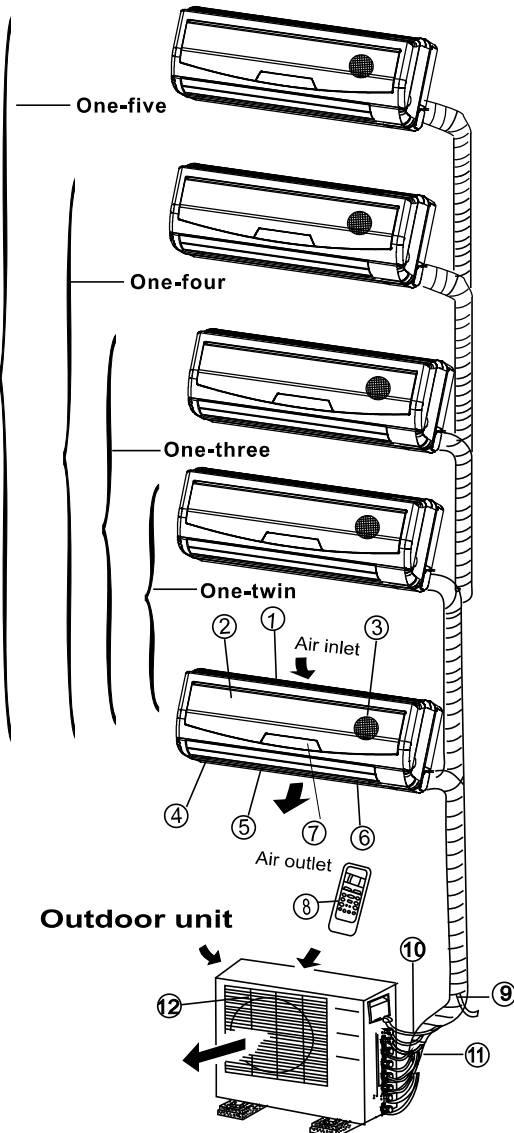
DISPLAY PANEL



OPERATING INSTRUCTIONS

Identification of parts

Indoor unit



Indoor unit

- ① Front panel frame
- ② Front panel
- ③ Air filter
- ④ Horizontal air flow grille
- ⑤ Vertical air flow louver
- ⑥ Room temperature sensor
- ⑦ Display panel
- ⑧ Remote controller

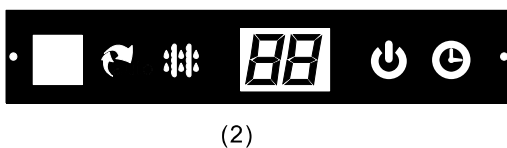
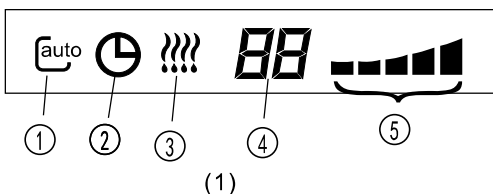
Outdoor unit

- ⑨ Drain hose, refrigerant connecting pipe
- ⑩ Connective cable
- ⑪ Stop valve
- ⑫ Fan hood

LED DISPLAY WINDOW

- ① **AUTO indication lamp**
Lights up during the Auto operation.
- ② **TIMER indication lamp**
Lights up during Timer operation.
- ③ **DEFROST indication lamp**
(For Cooling & Heating models only):
Lights up when the air conditioner starts defrosting automatically or when the warm air control feature is activated in heating operation.
- ④ **DIGITAL DISPLAY indication lamp**
Displays the current setting temperature. Only when the air conditioner is in FAN operation, it displays the actual room temperature. And displays the malfunction code or protection code.
- ⑤ **OPERATION indication lamp**
This indicator appears only when the compressor is in operation and indicates the current operating frequency.

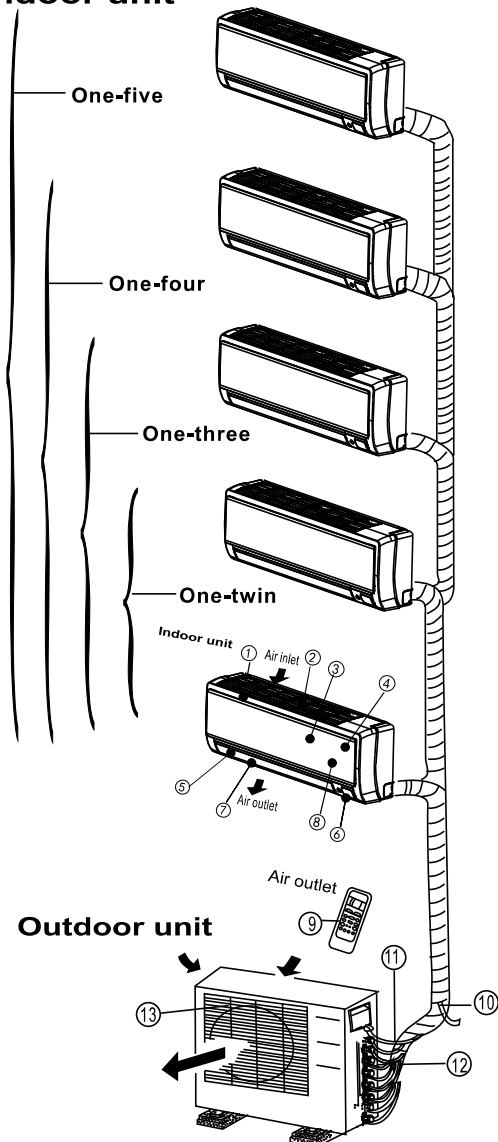
LED Display window



OPERATING INSTRUCTIONS

Identification of parts

Indoor unit



Indoor unit

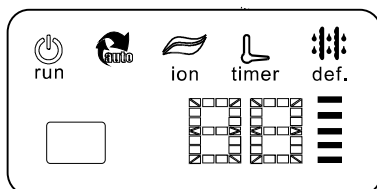
1. Panel frame
2. Rear air intake grille
3. Front panel
4. Air Purifying filter & Air filter(behind)
5. Horizontal louver
6. LCD display window
7. Vertical louver
8. Manual control button(behind)
9. Remote controller holder

Outdoor unit

10. Drain hose, refrigerant connecting pipe
11. Connective cable
12. Stop valve
13. Fan hood

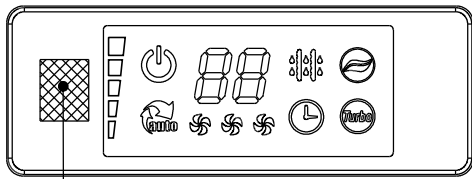
Display window

NOTE: The display window on the air conditioner you purchased may look like one of the following:

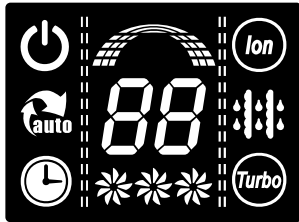


(1)

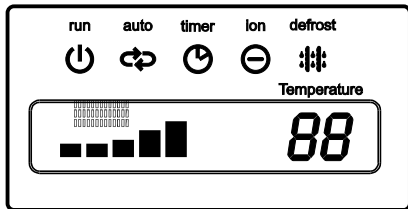
OPERATING INSTRUCTIONS



Signal receptor
(2)



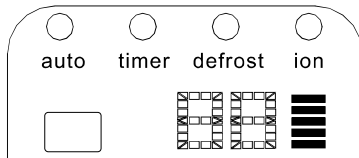
(3)



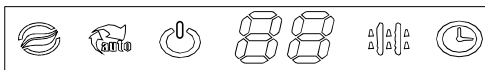
(4)



(5)



(6)



(7)



OPERATION display

Displayed when the air conditioner is in operation.



AUTO operation display

Displayed during Auto operation.



DEFROST operation display

(For Heating & Cooling model only):

Displayed when the air conditioner starts defrosting automatically or when the warm air control feature is activated in heating operation.



TIMER display

Displayed during Timer operation.



CLEAN AIR display(optional)

Displayed when CLEAN AIR feature is activated.



TURBO operation display

Displayed when select TURBO function on cooling operation or on heating operation.



DIGITAL DISPLAY

Displays the current setting temperature when the air conditioner is in operation.



FAN SPEED display

Displayed the selected fan speed: LOW(🌀), MED(🌀🌀) and HIGH(🌀🌀🌀).



Frequency indication lamp

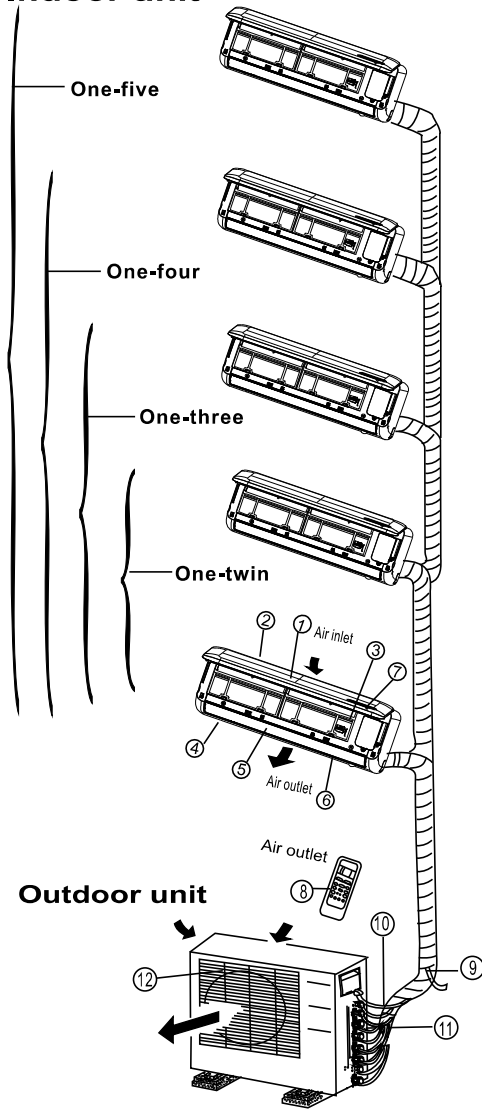


This display is separated into five zones. The zones illuminate based on the compressor current frequency. For example, higher frequency will illuminate more zones.

OPERATING INSTRUCTIONS

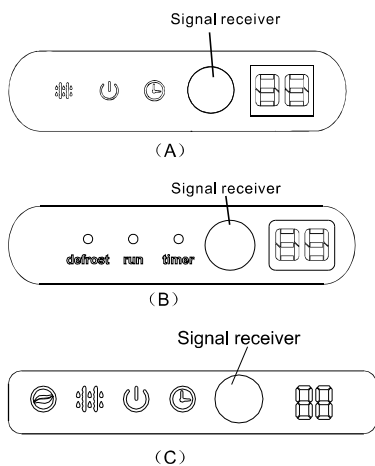
Identification of parts

Indoor unit



Outdoor unit

LED Display window



Indoor unit

1. Front panel
2. Air inlet
3. Air filter
4. Air outlet
5. Horizontal air flow grille
6. Vertical air flow louver(inside)
7. Display panel
8. Remote control

NOTE: The actual shape of the indoor unit you purchased may be slight different on front panel and display window.





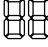
Outdoor unit

9. Drain hose, refrigerant connecting pipe
10. Connective cable
11. Stop valve
12. Fan hood

NOTE:

All the pictures in this manual are for explanation purposes only. Your air conditioner may be slightly different. The actual shape shall prevail.

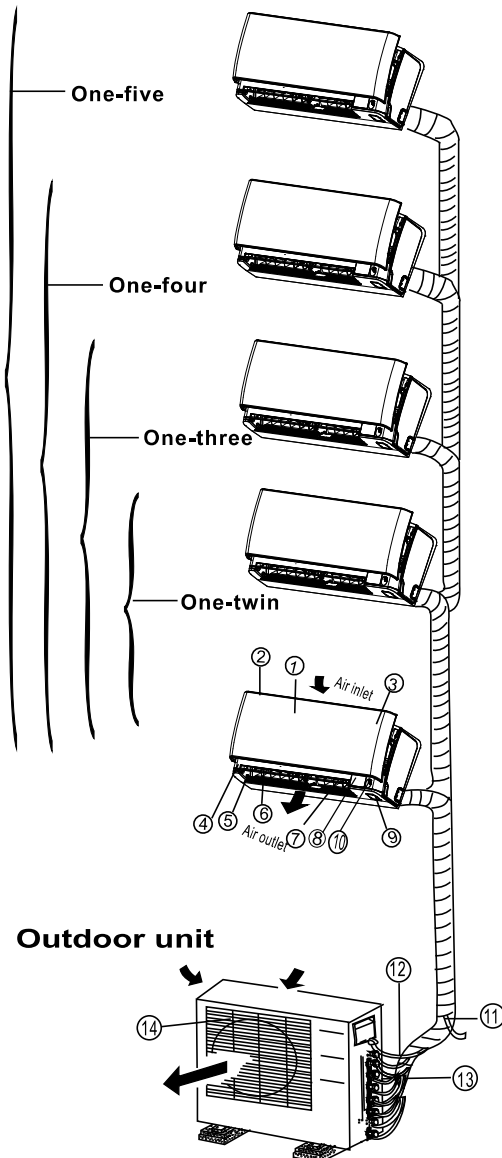
Indication lamp on LED Display window

-  **ION indication lamp(optional function)**
This lamp illuminates when Clean Air feature is activated.
-  **DEFROST indication lamp**
(Enabled on cooling & heating models only):
Lights up when the air conditioner starts defrosting automatically or when the warm air control feature is activated in heating operation.
-  **OPERATION indication lamp**
This lamp illuminates when the air conditioner is in operation.
-  **TIMER indication lamp**
Lights up during Timer operation.
-  **Temperature indicator**
 - Displays the temperature settings when the air conditioner is operational.
 - Displays the malfunction code.

OPERATING INSTRUCTIONS

Identification of parts

Indoor unit



Outdoor unit

Indoor unit

1. Front panel
2. Air inlet
3. Air filter(inside)
4. Air outlet
5. Horizontal air flow grille(outside)
6. Horizontal air flow grille(inside)
7. Vertical air flow louver
8. Display panel
9. Manual control button and receiver
10. Intelligent eye detector(on some models)

Outdoor unit

11. Drain hose, refrigerant connecting pipe
12. Connective cable
13. Stop valve
14. Fan hood

NOTE:

All the pictures in this manual are for explanation purposes only. Your air conditioner may be slightly different. The actual shape shall prevail.

Indication lamp on LED Display window



TEMPERATURE indication lamp

Displays the temperature settings when the air conditioner is operational.
Displays the malfunction code.
Displays the actual room temperature on Fan only mode.



INTELLIGENT EYE indication lamp

(Optional)

Lights up during Intelligent eye operation except when the machine is defrosting. This indication lamp continues flashing when the unit detects human activity.



TIMER indication lamp

Lights up during Timer operation.



ION indication lamp(optional)

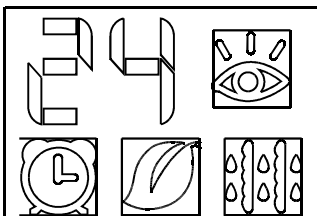
Lights up when Clean Air feature is activated.



DEFROST indication lamp

(Enabled on cooling & heating models only):
Lights up when the air conditioner starts defrosting automatically or when the warm air control feature is activated in heating operation.

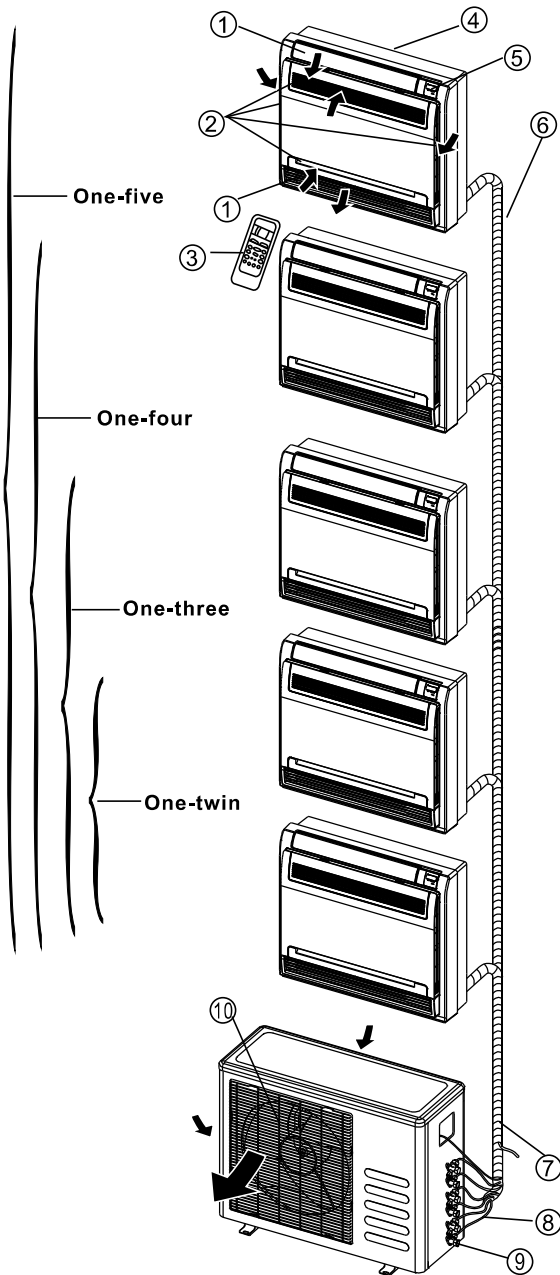
LED Display window



OPERATING INSTRUCTIONS

Identification of parts

Floor and standing type(console) Indoor unit



Indoor unit

1. Air flow louver (at air outlet)
2. Air inlet(with air filter in it)
3. Remote controller
4. Installation part
5. Display panel
6. Connecting pipe

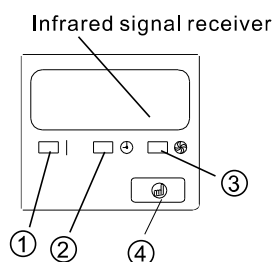
Outdoor unit

7. Drain hose, refrigerant connecting pipe
8. Connective cable
9. Stop valve
10. Fan hood

DISPLAY PANEL:

- ① **OPERATION indication lamp**
This indicator illuminates when the unit is operational.
- ② **TIMER indication lamp**
Lights up during Timer operation.
- ③ **DEFROST indication lamp**(Cooling & Heating models only) **or Fan only indication lamp** (Cooling only type):
Lights up when the air conditioner starts defrosting automatically in heating operation or fan only mode is selected.
- ④ **Temporary button**
This button is used to operate the unit temporarily in case you misplace the remote controller or its batteries are exhausted. One press of the manual control button will lead to the forced AUTO operation. If press the button twice within five seconds, the unit will operate under forced COOL operation. The forced COOL operation is used for testing purposes only, please do not choose it unless it is necessary.

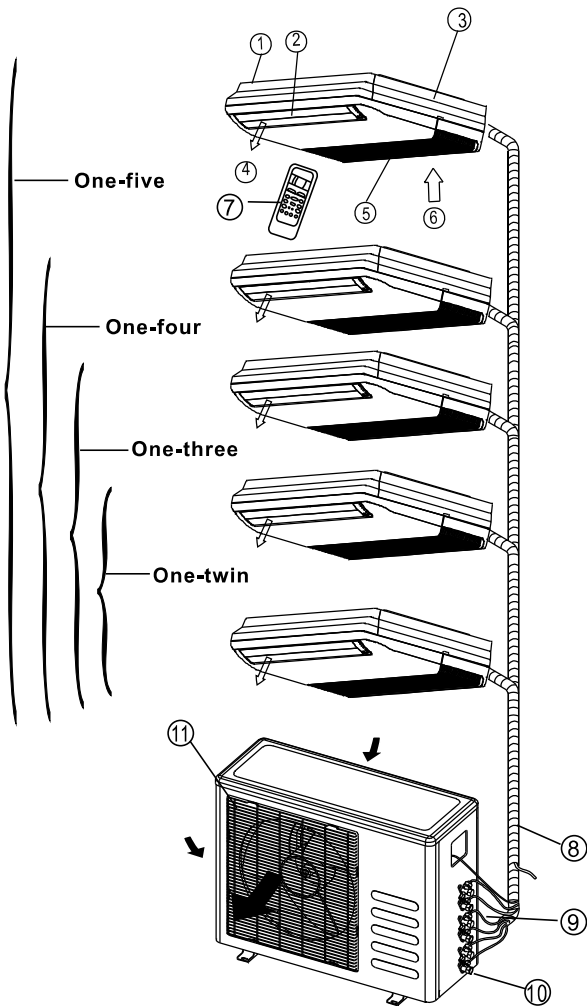
Display panel



OPERATING INSTRUCTIONS

Identification of parts

Floor and standing type(console) Indoor unit



Indoor unit

1. Indoor unit
2. Air flow louver (at air outlet)
3. Installation part
4. Air out
5. Air inlet(with air filter in it)
6. Air in
7. Remote controller

Outdoor unit

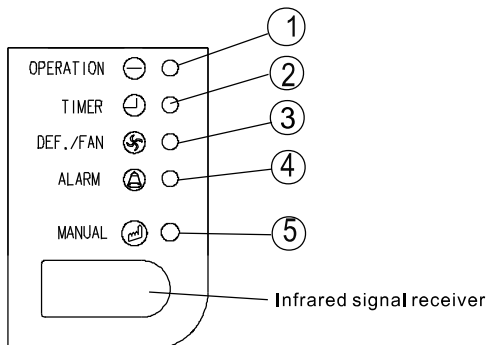
8. Drain hose, refrigerant connecting pipe
9. Connective cable
10. Stop valve
11. Fan hood

DISPLAY PANEL:

- ① **OPERATION indication lamp**
This indicator illuminates when the unit is operational.
- ② **TIMER indication lamp**
Lights up during Timer operation.
- ③ **DEF./FAN indication lamp**
Lights up when the air conditioner starts defrosting automatically in heating operation (applicable to cooling & heating models only) or fan only mode is selected(applicable to cooling only models).
- ④ **AIARM indication lamp**
Flashes when malfunction occurs.

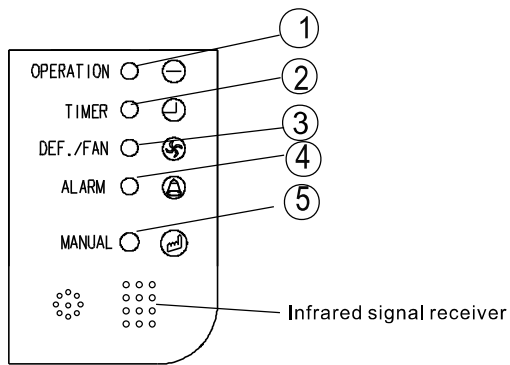
Display panel

NOTE: The display window on the air conditioner you purchased may look like one of the following:



(1)

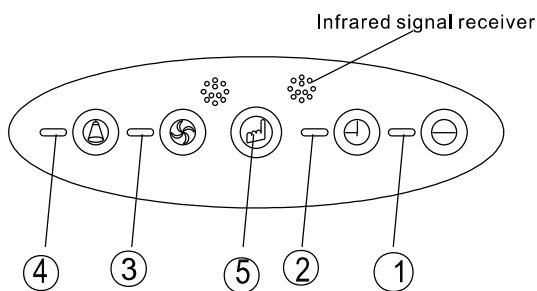
OPERATING INSTRUCTIONS



(2)

⑤ Temporary button

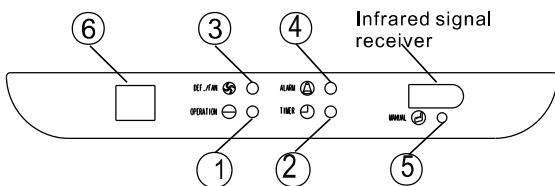
This button is used to operate the unit temporarily in case you misplace the remote controller or its batteries are exhausted. One press of the manual control button will lead to the forced AUTO operation. If press the button twice within five seconds, the unit will operate under forced COOL operation. The forced COOL operation is used for testing purposes only, please do not choose it unless it is necessary.



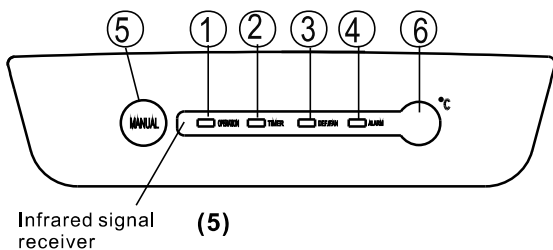
(3)

⑥ Temperature Display

Displays the current setting temperature while the unit is operating.



(4)

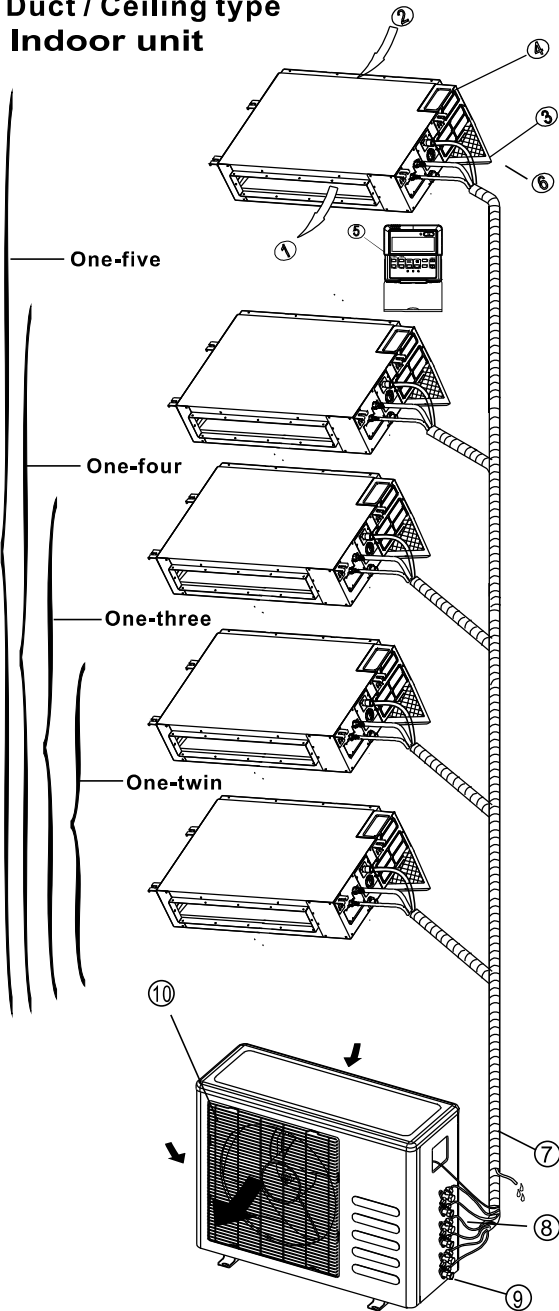


Infrared signal receiver

(5)

Identification of parts

Duct / Ceiling type Indoor unit



Indoor unit

1. Air outlet
2. Air inlet
3. Air filter
4. Electric control cabinet
5. Wire controller
6. Drain pipe

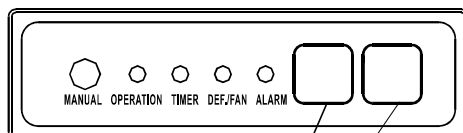
Outdoor unit

7. Drain hose, refrigerant connecting pipe
8. Connective cable
9. Stop valve
10. Fan hood

DISPLAY PANEL:

- ① **OPERATION indication lamp**
This indicator illuminates when the unit is operational.
- ② **TIMER indication lamp**
Lights up during Timer operation.
- ③ **DEF./FAN indication lamp**
Lights up when the air conditioner starts defrosting automatically in heating operation (applicable to cooling & heating models only) or fan only mode is selected (applicable to cooling only models).
- ④ **ALARM indication lamp**
Flashes when malfunction occurs.
- ⑤ **MANUAL button**
This button is used to operate the unit temporarily in case you misplace the remote controller or its batteries are exhausted. One press of the manual control button will lead to the forced AUTO operation. If press the button twice within five seconds, the unit will operate under forced COOL operation. The forced COOL operation is used for testing purposes only, please do not choose it unless it is necessary.

Display panel



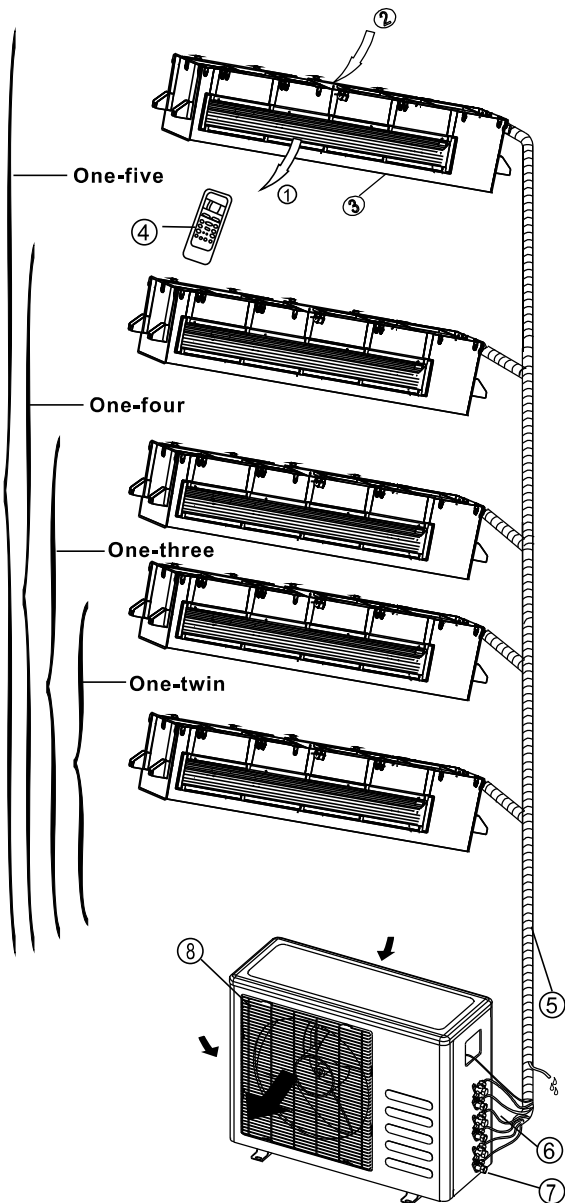
Infrared signal receiver

Digital display window

OPERATING INSTRUCTIONS

Identification of parts

Duct type Indoor unit



Indoor unit

1. Air outlet
2. Air inlet
3. Air filter
4. Remote controller

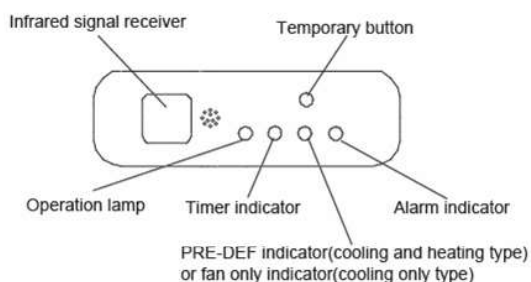
Outdoor unit

5. Drain hose, refrigerant connecting pipe
6. Connective cable
7. Stop valve
8. Fan hood

DISPLAY PANEL:

- ① **OPERATION lamp**
This indicator illuminates when the unit is operational.
- ② **TIMER indication lamp**
Lights up during Timer operation.
- ③ **PRE-DEF./FAN indication lamp**
Lights up when the air conditioner starts defrosting automatically in heating operation (applicable to cooling & heating models only) or fan only mode is selected (applicable to cooling only models).
- ④ **ALARM indication lamp**
Flashes when malfunction occurs.
- ⑤ **TEMPORARY button**
This button is used to operate the unit temporarily in case you misplace the remote controller or its batteries are exhausted. One press of the manual control button will lead to the forced AUTO operation. If press the button twice within five seconds, the unit will operate under forced COOL operation. The forced COOL operation is used for testing purposes only, please do not choose it unless it is necessary.

Display panel

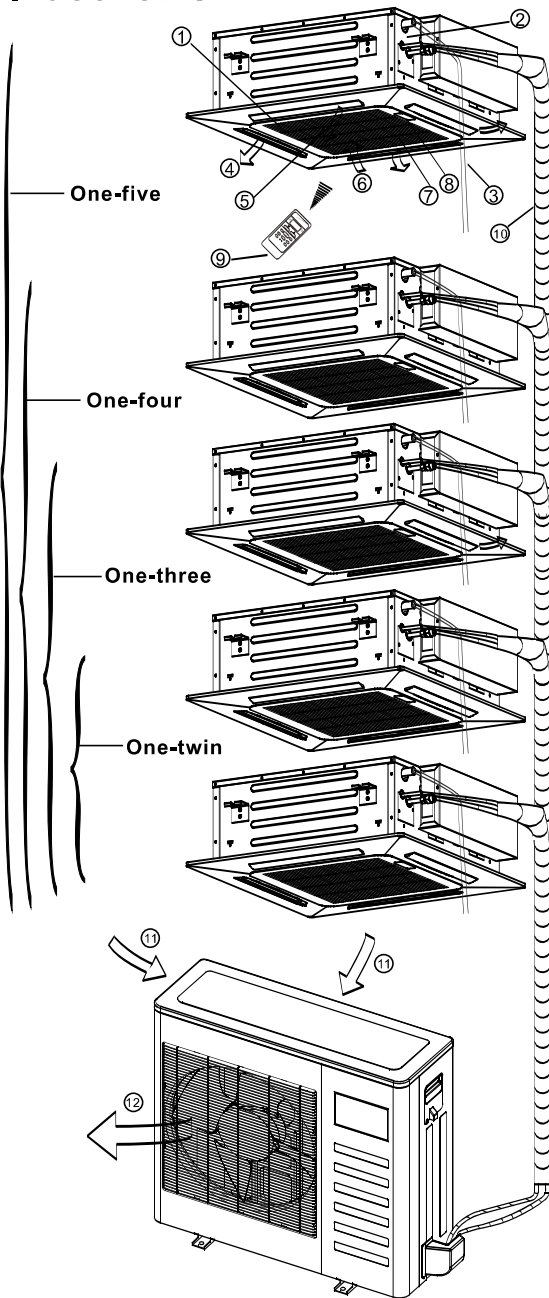


OPERATING INSTRUCTIONS

Identification of parts

Compact four-way cassette type

Indoor unit



Indoor unit

1. Air flow louver(at air outlet)
2. Drain pump(drain water from indoor unit)
3. Drain pipe
4. Air outlet
5. Air filter(inside air-in grill)
6. Air inlet
7. Air-in grill
8. Display panel
9. Remote controller
10. Refrigerant pipe

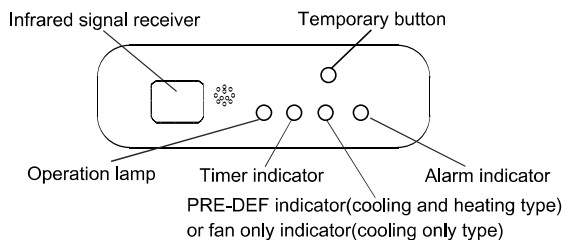
Outdoor unit

11. Air inlet
12. Air outlet

DISPLAY PANEL:

- ① **OPERATION lamp**
This indicator illuminates when the unit is operational.
- ② **TIMER indication lamp**
Lights up during Timer operation.
- ③ **PRE-DEF./FAN indication lamp**
Lights up when the air conditioner starts defrosting automatically in heating operation (applicable to cooling & heating models only) or fan only mode is selected(applicable to cooling only models).
- ④ **AIARM indication lamp**
Flashes when malfunction occurs.
- ⑤ **TEMPORARY button**
This button is used to operate the unit temporarily in case you misplace the remote controller or its batteries are exhausted. One press of the manual control button will lead to the forced AUTO operation. If press the button twice within five seconds, the unit will operate under forced COOL operation. The forced COOL operation is used for testing purposes only, please do not choose it unless it is necessary.

Display panel



OPERATING INSTRUCTIONS

NOTE: This manual does not include Remote Controller Operations, see the <<Remote Controller Instruction>> packed with the unit for details.

Operating temperature

Mode	Cooling operation	Heating operation	Drying operation
Room temperature	17°C~32°C(62°F~90°F)	0°C~30°C(32°F~86°F)	17°C~32°C(62°F~90°F)
Outdoor temperature	0°C~50°C (32°F~122°F)	-15°C~24°C (5°F~76°F)	0°C~50°C (32°F~122°F)
	(-15°C~ 50°C/ 5°F~122°F: For the models with low temperature cooling system)		

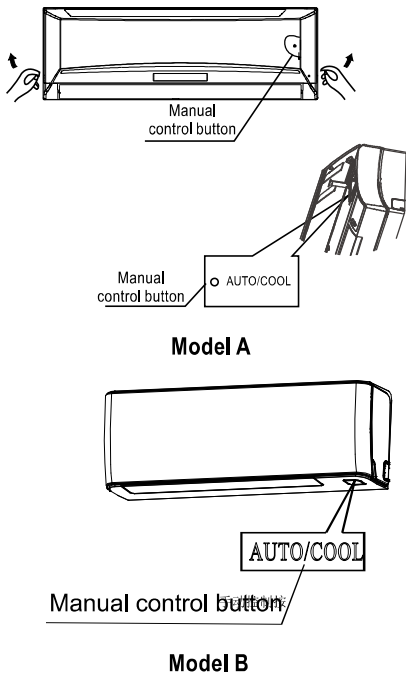
NOTE:

1. Optimum performance will be achieved within these operating temperatures. If air conditioner is used outside of the above conditions, certain safety protection features might come into operation and cause the unit to function abnormally.
2. If the air conditioner operates in a room whose relative humidity is less than 80% the surface of the air conditioner may attract condensation. Please sets the vertical air flow louver to its maximum angle (vertically to the floor), and set HIGH fan mode.

Suggestion: For the unit adopts an Electric Heater, when the outside ambient temperature is below 0°C(32°F), we strongly recommend you to keep the machine plugged in order to guarantee it running smoothly.

Manual operation

Manul operation can be used temporarily in case you can not find the remote controller or test running purpose or maintenance necessary.



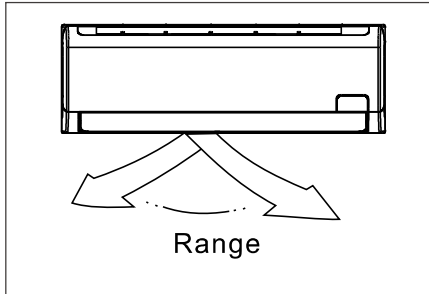
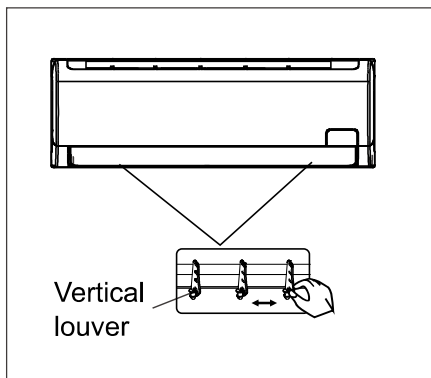
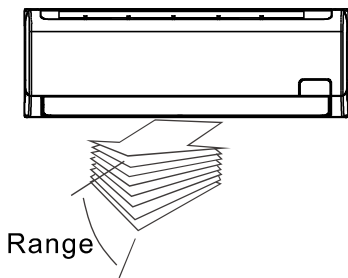
NOTE: The unit must be turned off before operating the manual control button. If the unit is operational, continue pressing the manual control button until the unit is off.

- ① Open and lift the front panel up will see the manual control button(see Model A)
For some models, the manual control button is located at the bottom of the unit(see Model B).
- ② One press of the manual control button will lead to the forced AUTO operation. If press the button twice within five seconds, the unit will operate under forced COOL operation.
- ③ Close the panel firmly to its original position.

NOTE: For DUCT and CEILING type, CASSETTE type, CEILING and FLOOR type and FLOOR and STANDING type, please refer to the previous pages to operate the Manual button.

OPERATING INSTRUCTIONS

Airflow direction control



- Adjust the air flow direction properly otherwise it might cause discomfort or cause uneven room temperatures.
- Adjust the horizontal/vertical louver using the remote controller. For some models, the vertical louver can only be adjusted manually.

To set the horizontal/vertical air flow direction

- Perform this function while the unit is in operation.
- Use the remote controller to adjust the air flow direction. The vertical/horizontal louver changes 6 degree in angle for each press, or swing up and down automatically. Please refer to the 'REMOTE CONTROLLER OPERATION MANUAL' for details.
- For some models, the vertical louver can only be adjusted manually. Move the deflector rod manually to adjust the air flow in the direction you prefer.

IMPORTANT: Do not put your fingers into the panel of blower and suction side. The high-speed fan inside may cause danger.

CAUTION

- Do not operate the air conditioner for long periods with the air flow direction set downward in cooling or dehumidifying mode. Otherwise, condensation may occur on the surface of the horizontal louver causing moisture to drop on to the floor or on furnishings.
- Do not move the horizontal louver manually unless it is necessary. Always use the remote controller.
- When the air conditioner is started immediately after it was stopped, the horizontal louver might not move for approximately 10 seconds.
- Open angle of the horizontal louver should not be set too small, as COOLING or HEATING performance may be impaired due to too restricted air flow area.
- Do not operate unit with horizontal louver in closed position.
- When the air conditioner is connected to power (initial power), the horizontal louver may generate a sound for 10 seconds, this is a normal operation.

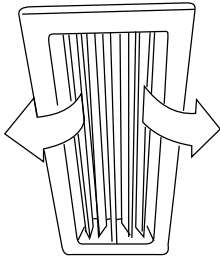
OPERATING INSTRUCTIONS

Duct-Ceiling Type

The following is how to adjust the air flow direction when the air outlet parts (sold separately) is used with the indoor unit.

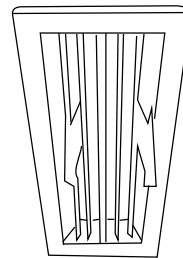
Cooling

To effectively cool the whole room, please adjust the louver horizontally.



Heating

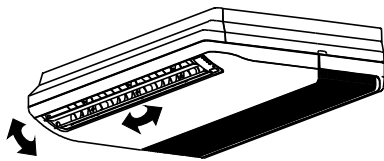
To effectively heat the bottom of the room please set the louver downwards.



Ceiling-Floor Type

Auto-swing

Press SWING button, the louver will swing up and down(left and right) automatically.

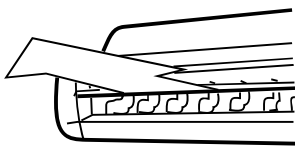


Manual Swing

Adjust the louver to achieve better cooling/heating effects when cooling/heating.

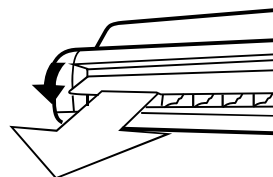
When cooling

Adjust the louver horizontally.



When heating

Adjust the louver downwards (vertically).

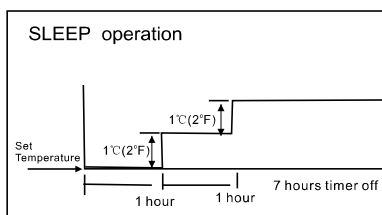


NOTE : The heating operation with horizontal air out let will increase the difference of the room temperature.

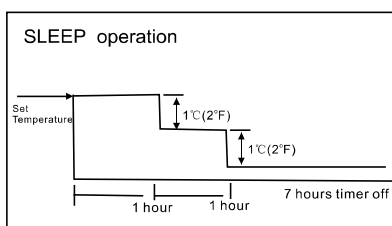
 Notice	 Notice the louver direction	Choose horizontal outlet mode when cooling operation Under cooling operation ,the air flow down will cause condensing dew on the air outlet and louver surface.
-------------------	--	---

OPERATING INSTRUCTIONS

How the air conditioner works



Cooling



Heating

AUTO operation

- When you set the air conditioner in AUTO mode, it will automatically select cooling, heating (cooling/heating models only), or fan only operation depending on what temperature you have selected and the room temperature.
- The air conditioner will control room temperature automatically round the temperature point set by you.
- If the AUTO mode is uncomfortable, you can select desired conditions manually.

SLEEP operation

- When you push SLEEP button on remote controller during cooling, heating (cooling only type without), or AUTO operation, the air conditioner will automatically increase (cooling) or decrease (heating) 1°C (2°F) per hour.
- The set temperature will be steady 2 hours later. And the air conditioner will be timer off in 7 hours.
- The fan speed will be automatically controlled.
- This feature can maintain the most comfortable temperature and save more energy for you.

DRYING operation

- The fan speed will be automatically controlled under dry operation.
- During the dry operation, if the room temperature is lower than 10°C (50°F), the compressor stops operation and restarts until the room temperature is above 12°C (54°F).

OPERATING INSTRUCTIONS

Operation mode selection

While simultaneously operating two indoor units or more, make sure the operation modes will not conflict with each other. The heat mode claims precedence over all other modes. If the unit initially started operates under heat mode, the other units can operate under heat mode only. For example: If the unit initially started operates under cool(or fan) mode, the other units can operate under any mode except heat. If one of the unit selects heat mode, the other operating units will stop operation and display "P5" (For the units with display window only) or the Auto and Operation indication light flash rapidly, the Defrost indication light turn off, the Timer indication light remain on(For the units without display window), or the Defrost and Alarm indication light(if applicable) illuminate, the Operation indication light flashes rapidly and the Timer indication light turns off (For the Floor and standing type).

Optimal operation

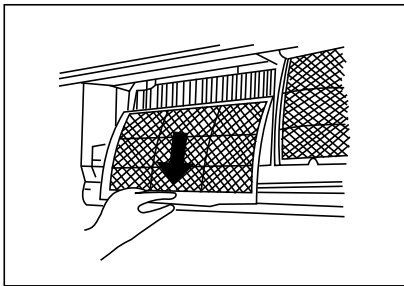
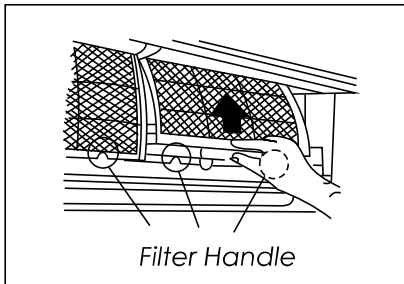
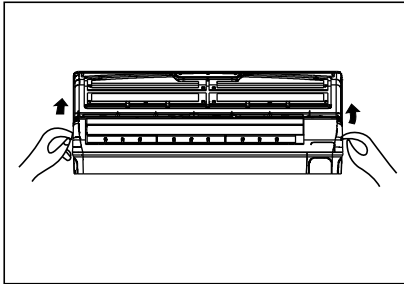
To achieve optimal performance, please note the following:

- Adjust the air flow direction correctly so that it is not directed on people.
- Adjust the temperature to achieve the highest comfort level. Do not adjust the unit to excessive temperature levels.
- Close doors and windows on COOL or HEAT modes, or performance may be reduced.
- Use TIMER ON button on the remote controller to select a time you want to start your air conditioner.
- Do not put any object near air inlet or air outlet, as the efficiency of the air conditioner may be reduced and the air conditioner may stop running.
- Clean the air filter periodically, otherwise cooling or heating performance may be reduced.
- Do not operate unit with horizontal louvre in closed position.

Suggestion: For the unit adopts an Electric Heater, when the outside ambient temperature is below 0°C(32°F), we strongly recommend you to keep the machine plugged in order to guarantee it running smoothly.

CARE AND MAINTENANCE

Care and maintenance



Cleaning the Grille, Case and Remote Controller

- Turn the system off before cleaning. To clean, wipe with a soft, dry cloth. Do not use bleach or abrasives.

NOTE: Supply power must be disconnected before cleaning the indoor unit.

⚠ CAUTIONS

- A cloth dampened with cold water may be used on the indoor unit if it is very dirty. Then wipe it with a dry cloth.
- Do not use a chemically treated cloth or duster to clean the unit.
- Do not use benzine, thinner, polishing powder, or similar solvents for cleaning. These may cause the plastic surface to crack or deform.
- Never use water hotter than 40°C(104°F) to clean the front panel, it could cause deformation or discoloration.

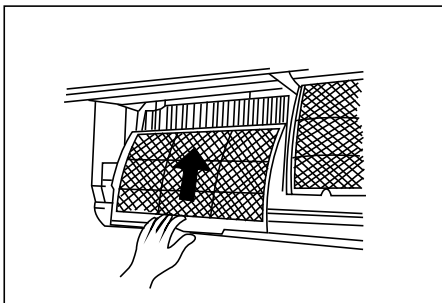
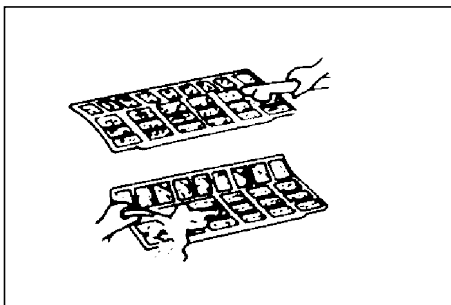
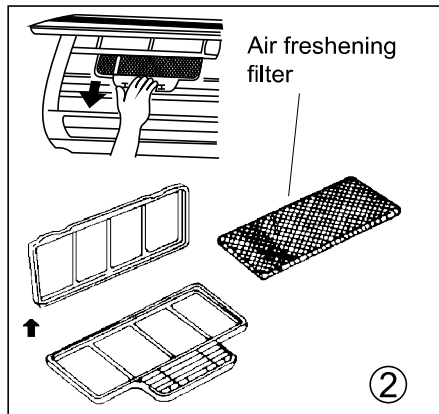
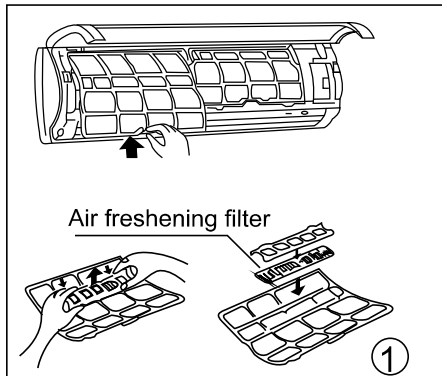
■ WALL-MOUNTED TYPE

Cleaning the air filter

A clogged air filter reduces the cooling efficiency of this unit. Please clean the filter once every 2 weeks.

1. Lift the indoor unit panel up to an angle until it stops with a clicking sound.
2. Take hold of the handle of the air filter and lift it up slightly to take it out from the filter holder, then pull it downwards.
3. Remove the **Active Carbon & Dust Filter** from the indoor unit.
 - Clean the it once two weeks.
 - Clean the it with a vacuum cleaner or water, then dry it up in cool place.

CARE AND MAINTENANCE



4. Remove the **Air Freshening Filter**(Optional filter: Plasma Dust collector/Silver Ion filter /Bio filter / Vitamin C filter) from its support frame.
(The installation and removing method of the air freshening filter is different depending on the models, see the pictures marked ① and ② on the left.
 - Clean the air freshening filter at least once a month, and replace it every 4-5 months.
 - Clean it with vacuum cleaner, then dry it in cool place.
5. Install the air freshening filter back into position.
6. Insert the upper portion of air filter back into the unit taking care that the left and right edges line up correctly and place filter into position.

Maintenance

If you plan to idle the unit for a long time, perform the following:

- (1) Operate the fan for about half a day to dry the inside of the unit.
- (2) Stop the air conditioner and disconnect power. Remove the batteries from the remote controller.
- (3) The outdoor unit requires periodic maintenance and cleaning. Do not attempt to do this yourself. Contact your dealer or servicer.

Checks before operation

- Check that the wiring is not broken off or disconnected.
- Check that the air filter is installed.
- Check if the air outlet or inlet is blocked after the air conditioner has not been used for a long time.

⚠ Caution

- Do not touch the metal parts of the unit when removing the filter. Injuries can occur when handling sharp metal edges.
- Do not use water to clean inside the air conditioner. Exposure to water can destroy the insulation, leading to possible electric shock.
- When cleaning the unit, first make sure that the power and circuit breaker are turned off.

CARE AND MAINTENANCE

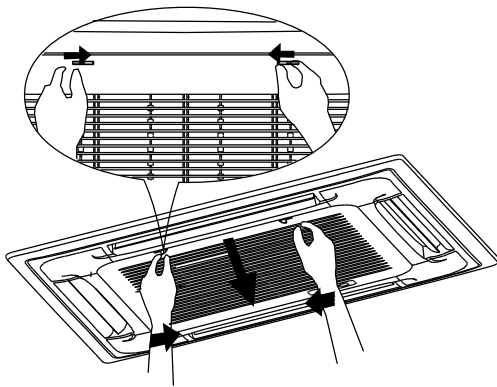


Fig. A

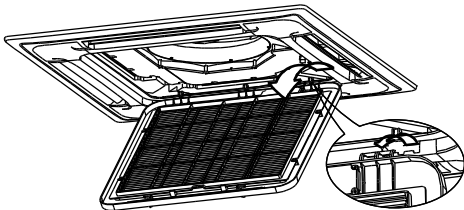


Fig. B

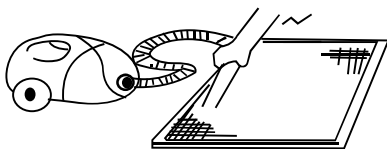


Fig. C

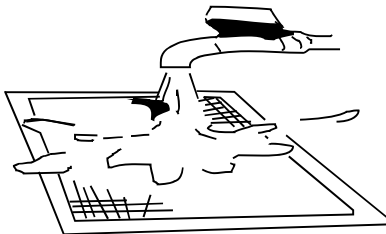


Fig. D

■ CASSETTE TYPE

1. Open the air-in grill
Push the grill switches towards the middle simultaneously as indicated in Fig. A. Then pull down the air-in grill.

Cautions: The control box cables, which are originally connected with the main body electrical terminators must be pulled off before doing as indicated above.

2. Take out the air-in grill (together with the air filter shown in Fig. B). Pull the air-in grill down at 45 ° and lift it up to take out the grill.
3. Dismantle the air filter
4. Clean the air filter (Vacuum cleaner or pure water may be used to clean the air filter. If the dust accumulation is too heavy, please use soft brush and mild detergent to clean it and dry out in cool place).

■ DUCT AND CEILING TYPE

1. Open the air-in grill
Push the grill switches towards the middle simultaneously as indicated in follow figure sketch. Then pull down the air-in grill.

Cautions: The control box cables, which are originally connected with the main body electrical terminators must be pulled off before doing as indicated above.

2. Take out the air-in grill.
3. Dismantle the air filter
4. Clean the air filter (Vacuum cleaner or pure water may be used to clean the air filter. If the dust accumulation is too heavy, please use soft brush and mild detergent to clean it and dry out in cool place).

- The air-in side should face up when using vacuum cleaner. (See Fig. C)
- The air-in side should face down when using water. (See Fig. D)

Cautions : Do not dry out the air filter under direct sunshine or with fire.

5. Re-install the air filter
6. Install and close the air-in grill in the reverse order of step 1 and 2 and connect the control box cables to the corresponding terminators of the main body.

Note: High-static Pressure Parvis Split Type has no air filter.

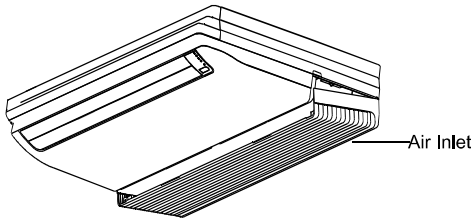


Fig.E1

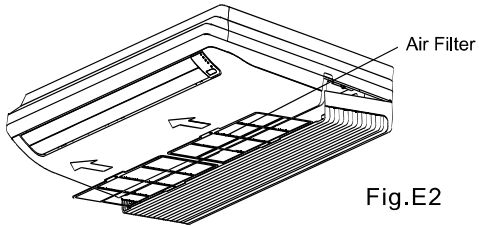


Fig.E2

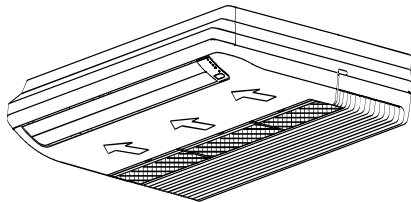


Fig.E3

■ CEILING AND FLOOR TYPE

For ≤ 36000 Btu/h models

1. Open the air intake (see Fig.E1).
2. Take out the air filter(see Fig.E2).
3. Clean the air cleaning filter with water or vacuum cleaner, then dry it in cool place.
4. Re-install the air filter in the reverse order of Fig.E2.

For ≥ 48000 Btu/h models

1. Directly pull out the air filter from air inlet as indicated in Fig.E3.
2. Clean the air cleaning filter with water or vacuum cleaner, then dry it in cool place.
3. Re-install the air filter in the reverse order of Fig.E3.

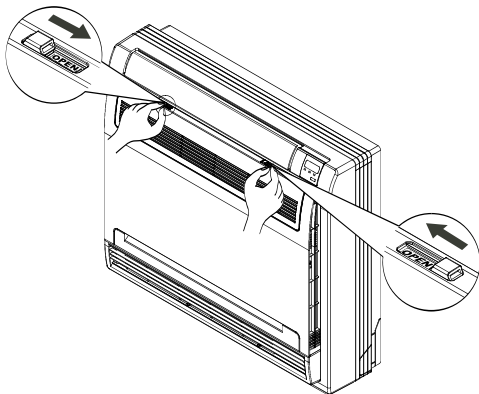


Fig.F1

■ FLOOR AND STANDING TYPE(Console)

1. Open the front panel.(Refer to Fig. F1)

CARE AND MAINTENANCE

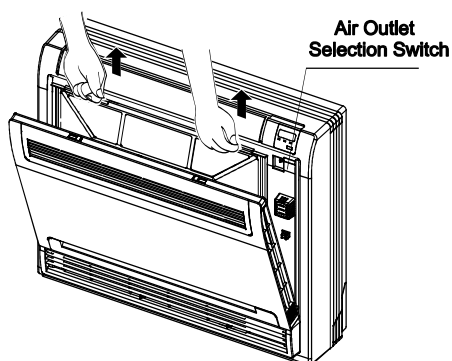


Fig.F2

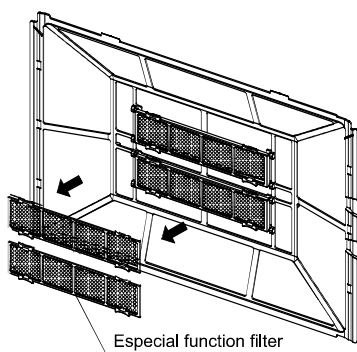


Fig.F3

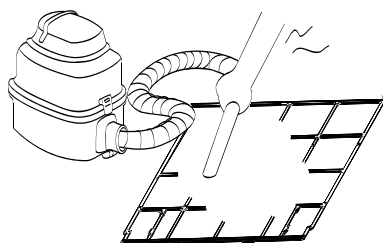


Fig.F4

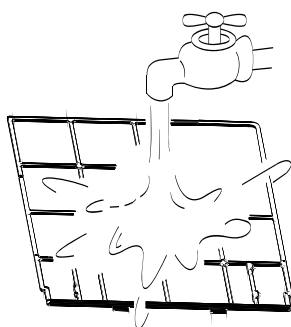


Fig.F5

2. Remove the air filter

Press the claws on the right and left of the air filter down slightly, then pull upward.(Refer to Fig.F2)

3. Take off the especial function filter

Hold the tabs of the frame, and remove the claws in 4 places. (Refer to Fig. F3)

(The especial function filter can be renewed by washing it with water once every 6 months. We recommend replacing it once every 3 years.)

4. Clean the air filter

Vacuum cleaner or pure water may be used to clean the air filter. If the dust accumulation is too heavy, please use soft brush and mild detergent to clean it and dry out in cool place.

The air-in side should face up when using vacuum cleaner.(see Fig.F4)

The air-in side should face down when using water (see Fig. F5).

5. Set the air filter and the especial function filter as they were and close the front panel.

Operation without air filters may result in troubles as dust will accumulate inside the indoor unit.

⚠ CAUTION:

Do not dry the air filter by heat or under the direct sunlight.

CARE AND MAINTENANCE

■ DUCT /CEILING TYPE

1. For the unit is a rear ventilated one, please remove the screws (2 pieces) fixed on the filter and take down the filter away from the unit. See Fig.G1.

2. For the unit is a descensional ventilated one, please push the filter up slightly to let the position retainer escape away from the flange fixed holes, and take off the filter according to the arrow direction shows in the Fig.G2.

3. Clean the air filter. Vacuum cleaner or pure water may be used to clean the air filter. If the dust accumulation is too heavy, please use soft brush and mild detergent to clean it and dry out in cool place.

4. The air-in side should face up when using vacuum cleaner.(see Fig.G3)

The air-in side should face down when using water (see Fig. G4).

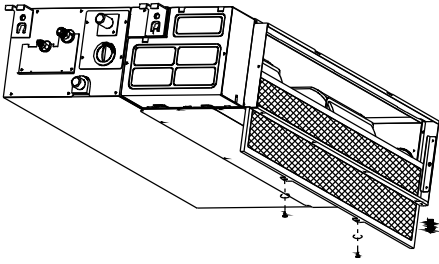


Fig.G1

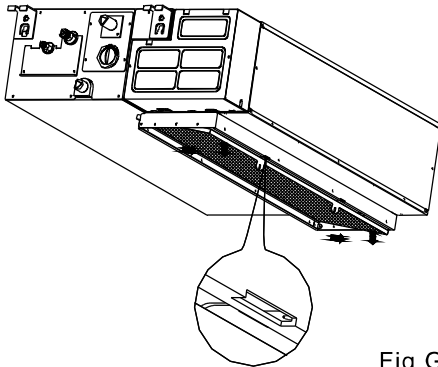


Fig.G2

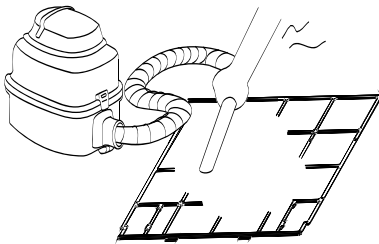


Fig.G3

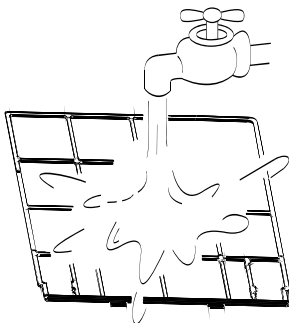


Fig.G4

OPERATION TIPS

Maintenance

If you plan to idle the unit for a long time, perform the following:

1. Clean the indoor unit and air filter.
2. Select FAN only mode, let the indoor fan run for a while to dry the inside of the unit.
3. Disconnect the power supply and remove battery from the remote control.
4. Check components of the outdoor unit periodically. Contact a local dealer or a customer service centre if the unit requires servicing.

Note: Before you clean the air conditioner, be sure to switch the unit off and disconnect the power supply plug.

When the air conditioner is to be used again:

- Use a dry cloth to wipe off the dust accumulated on rear air intake grille, in order to avoid the dust blowing out from the indoor unit.
- Check that the wiring is not broken off or disconnected.
- Check that the air filter is installed.
- Check if the air outlet or inlet is blocked after the air conditioner has not been used for a long time.

Operation Tips

The following events may occur during normal operation.

1. Protection of the air conditioner.

Compressor protection

- The compressor can't restart for 3 minutes after it stops.

Anti-cold air (Cooling and heating models only)

- The unit is designed not to blow cold air on HEAT mode, when the indoor heat exchanger is in one of the following three situations and the set temperature has not been reached.
 - A) When heating has just starting.
 - B) Defrosting.
 - C) Low temperature heating.

- The indoor or outdoor fan stop running when defrosting (Cooling and heating models only).

Defrosting (Cooling and heating models only)

- Frost may be generated on the outdoor unit during heat cycle when outdoor temperature is low and humidity is high resulting in lower heating efficiency of the air conditioner.
- During this condition air conditioner will stop heating operation and start defrosting automatically.
- The time to defrost may vary from 4 to 10 minutes according to the outdoor temperature and the amount of frost buildup on the outdoor unit.

2. A white mist coming out from the indoor unit

- A white mist may generate due to a large temperature difference between air inlet and air outlet on COOL mode in an indoor environment that has a high relative humidity.
- A white mist may generate due to moisture generated from defrosting process when the air conditioner restarts in HEAT mode operation after defrosting.

3. Low noise of the air conditioner

- You may hear a low hissing sound when the compressor is running or has just stopped running. This sound is the sound of the refrigerant flowing or coming to a stop.
- You can also hear a low "squeak" sound when the compressor is running or has just stopped running. This is caused by heat expansion and cold contraction of the plastic parts in the unit when the temperature is changing.
- A noise may be heard due to louver restoring to its original position when power is first turned on.

4. Dust is blown out from the indoor unit.

This is a normal condition when the air conditioner has not been used for a long time or during first use of the unit.

5. A peculiar smell comes out from the indoor unit.

This is caused by the indoor unit giving off smells permeated from building material, from furniture, or smoke.

6. The air conditioner turns to FAN only mode from COOL or HEAT (For cooling and heating models only) mode.

When indoor temperature reaches the temperature setting on air conditioner, the compressor will stop automatically, and the air conditioner turns to FAN only mode. The compressor will start again when the indoor temperature rises on COOL mode or falls on HEAT mode (For cooling and heating models only) to the set point.

7. Dripping water may generate on the surface of the indoor unit when cooling in a high relative humidity (relative humidity higher than 80%). Adjust the horizontal louver to the maximum air outlet position and select HIGH fan speed.

8. Heating mode (For cooling and heating models only)

The air conditioner draws in heat from the outdoor unit and releases it via the indoor unit during heating operation. When the outdoor temperature falls, heat drawn in by the air conditioner decreases accordingly. At the same time, heat loading of the air conditioner increases due to larger difference between indoor and outdoor temperature. If a comfortable temperature can't be achieved by the air conditioner, we suggest you use a supplementary heating device.

9. Auto-restart function

Power failure during operation will stop the unit completely.

For the unit without Auto-restart feature, when the power restores, the OPERATION indicator on the indoor unit starts flashing. To restart the operation, push the ON/OFF button on the remote controller. For the unit with Auto-restart feature, when the power restores, the unit restarts automatically with all the previous settings preserved by the memory function.

10. Lightning or a car wireless telephone operating nearby may cause the unit to malfunction.

Disconnect the unit with power and then re-connect the unit with power again. Push the ON/OFF button on the remote controller to restart operation.

TROUBLESHOOTING TIPS

Stop the air conditioner immediately if one of the following faults occur. Disconnect the power and contact the nearest customer service center.

Trouble	If the E(0,1.....) or P(0, 1) code appears on the LED(LCD)window, disconnect the power and contact the service people.
	Fuse blows frequently or circuit breaker trips frequently.
	Other objects or water penetrate the air conditioner.
	The remote controller won't work or works abnormally.
	Other abnormal situations.

Malfunctions	Cause	What should be done?
Unit does not start	Power cut	Wait for power to be restored.
	Unit may have become unplugged.	Check that plug is securely in wall receptacle.
	Fuse may have blown.	Replace the fuse.
	Battery in Remote controller may have been exhausted.	Replace the battery.
	The time you have set with timer is incorrect.	Wait or cancel timer setting.
Unit not cooling or heating (Cooling/ heating models only) room very well while air flowing out from the air conditioner	Inappropriate temperature setting.	Set temperature correctly. For detailed method please refer to "Remote controller instruction" section.
	Air filter is blocked.	Clean the air filter.
	Doors or Windows are open.	Close the doors or windows.
	Air inlet or outlet of indoor or outdoor unit has been blocked.	Clear obstructions away first, then restart the unit.
	Compressor 3 minutes protection has been activated.	Wait.

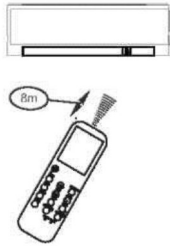
If the trouble has not been corrected, please contact a local dealer or the nearest customer service center. Be sure to inform them of the detailed malfunctions and unit model.

**Notes: Do not attempt to repair the unit yourself.
Always consult an authorised service provider.**

CONTENTS

Handling the remote controller	2
Remote controller Specifications	3
Function buttons	4
Indicators on LCD	6
How to use the buttons.....	7
Auto operation	7
Cooling/Heating/Fan operation	7
Dehumidifying operation	8
Adjusting air flow direction	8
Timer operation	9
SLEEP function.....	12

Handling the remote controller



Location of the remote controller.

- Use the remote controller within a distance of 8 meters from the appliance, pointing it towards the receiver. Reception is confirmed by a beep.

CAUTIONS

- The air conditioner will not operate if curtains, doors or other materials block the signals from the remote controller to the indoor unit.
- Prevent any liquid from falling into the remote controller. Do not expose the remote controller to direct sunlight or heat.
If the infrared signal receiver on the indoor unit is exposed to direct sunlight, the air conditioner may not function properly. Use curtains to
- prevent the sunlight from falling on the receiver.
If other electrical appliances react to the remote controller, either move these appliances or consult your local dealer.

Replacing batteries

The remote controller is powered by two dry batteries(R03/LR03X2) housed in the rear part and protected by a cover.

- (1) Remove the cover by pressing and sliding off.
- (2) Remove the old batteries and insert the new batteries, placing the(+) and (-) ends correctly.
- (3) Reattach the cover by sliding it back into position.
- (4)

NOTE: When the batteries are removed, the remote controller erases all programming. After inserting new batteries, the remote controller must be reprogrammed.

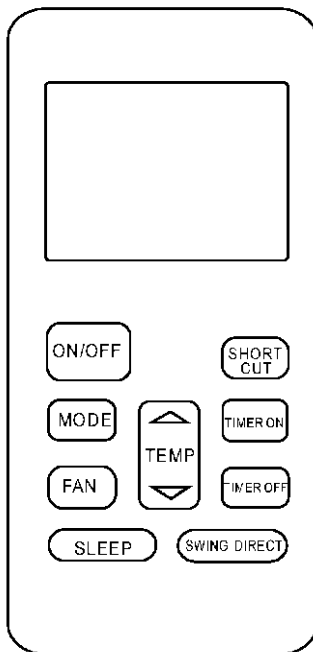
CAUTIONS

- Do not mix old and new batteries or batteries of different types.
- Do not leave the batteries in the remote controller if they are not going to be used for 2 or 3 months.
- Do not dispose batteries as unsorted municipal waste. Collection of such waste separately for special treatment is necessary.

Remote Controller Specifications!

Model	RG52C1/BG(C)E.
Rated Voltage	3.0V(Dry batteries R03/LR03X2)
Signal Receiving Range	8m (when using 3.0 voltage, it gets 11m)
Environment	-5°C~ 60°C

Performance Feature!

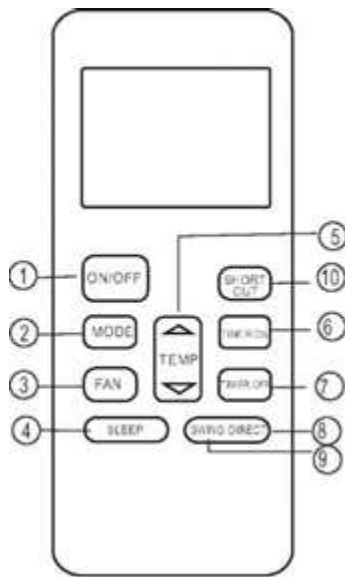


NOTE:

Buttons design might be slightly different from the actual one you purchased depending on individual models.

All the functions described are accomplished by the indoor unit. If the indoor unit has no this feature, there is no corresponding operation happened when press the relative button on the remote controller.

Function buttons

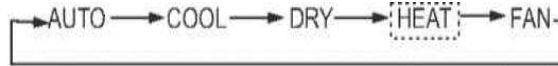


1. ON/OFF Button

Operation starts when this button is pressed and stops when this button is pressed again.

2. MODE Button

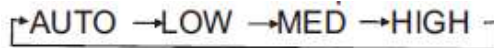
Each time the button is pressed, the operation mode is selected in a sequence of following:



NOTE: Heat mode is for Cooling & Heating models only.

3. FAN Button

Used to select the fan speed in four steps:



4. SLEEP Button

Active/Disable sleep function. It can maintain the most comfortable temperature and save energy. This function is available on COOL, HEAT or AUTO mode only .

NOTE: While the unit is running under SLEEP mode, it would be cancelled if MODE, FAN SPEED or ON/OFF button is pressed.

5. UP Button(^)

Push this button to increase the indoor temperature setting in 1°C increments to 30°C.

DOWN Button(^)

Push this button to decrease the indoor temperature setting in 1°C increments to 17°C.

6. TIMER ON Button

Press this button to initiate the auto-on time sequence. Each press will increase the auto-timed setting in 30 minutes increments. When the setting time displays 10, each press will increase the auto-timed setting 60 minutes increments. To cancel the auto-timed program, simply adjust the auto-on time to 0.0.

7. TIMER OFF Button

Press this button to initiate the auto-off time sequence. Each press will increase the auto-timed setting in 30 minutes increments. When the setting time displays 10, each press will increase the auto-timed setting 60 minutes increments.

To cancel the auto-timed program, simply adjust the auto-off time to 0.0

8. DIRECT Button

Used to change the louver movement and set the desired up/down air flow direction. The louver changes 6° in angle for each press.

9. SWING Button

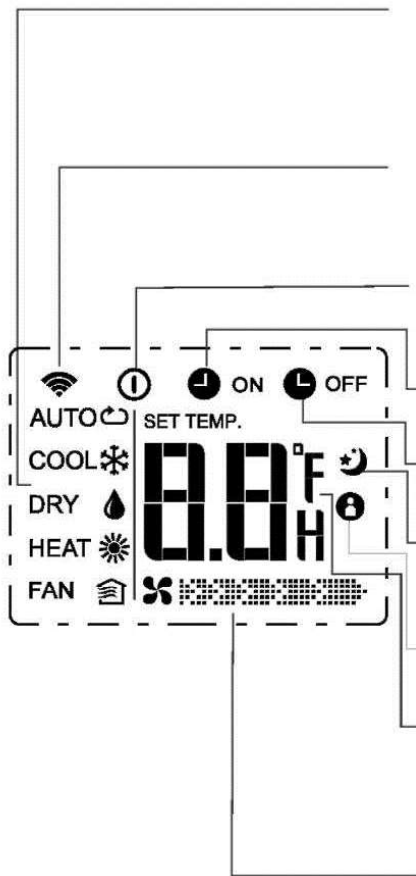
Pressing the button less than 2 seconds to activate the horizontal louver swing up and down automatically. Pressing the button long to activate the vertical louver swing left and right automatically.

NOTE: The left and right swinging of vertical louver function is only for some models .

10. SHORTCUT Button

- Used to restore the current settings or resume previous settings.
- On the first time connecting to the power, if push the SHORTCUT button, the unit will operate on AUTO mode, 26°C, and fan speed is Auto.
- Push this button when remote controller is on, the system will automatically revert back to the previous settings including operating mode, setting temperature, fan speed level and sleep feature(if activated). And transmit the signals to the unit.
- If push this button when remote controller is off, the system will only resume the previous settings and will not transmit the signals to the unit. And the sleep feature is disable.
- If pushing more than 2 seconds, the system will automatically restore the current operation settings including operating mode, setting temperature, fan speed level and sleep feature(if activated).

Indicators on LCD



Mode display

Displays the current operation mode. Including auto(☺), cool(❄), dry(💧), heat(☀) (Not applicable to cooling only models), fan(🌀) and back to auto(☺).

Transmission Indicator

This transmission indicator lights when remote controller transmits signals to the indoor unit.

ON/OFF display

Displayed by pressing the ON/OFF button. Press the ON/OFF button again to remove.

TIMER ON display

Displayed when TIMER ON time is set.

TIMER OFF display

Displayed when TIMER OFF time is set.

"Sleep Display

Displayed under sleeping operation. Press the SLEEP button again to remove.

FOLLOW ME Display(on some models)

Displayed when FOLLOW ME function is activated.

Temp./Timer display

Displays the temperature setting(17°C~30°C). When you set the operating mode to FAN, no temperature setting is displayed. And if in the TIMER mode, shows the ON and OFF settings of the TIMER.

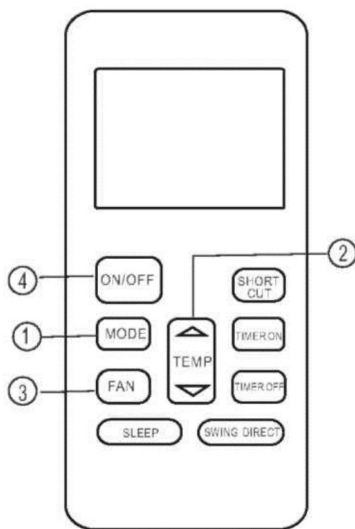
Fan speed display

Displays the selected fan speed, AUTO(no display) and three fan speed levels 🌀 (LOW) 🌀🌀 (MED) 🌀🌀🌀 (HIGH) can be indicated. The fan speed is AUTO when the operating mode is either AUTO or DRY.

Note:

All indicators shown in the figure are for the purpose of clear presentation. But during the actual operation only the relative functional signs are shown on the display window.

How to use the buttons!



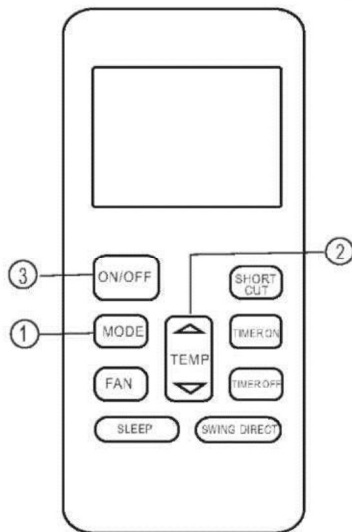
Auto operation

Ensure the unit is plugged in and power is available. The OPERATION indicator on the display panel of the indoor unit starts flashing.

1. Press the **MODE** button to select Auto.
2. Press the **UP/DOWN** button to set the desired temperature. The temperature can be set within a range of 17°C~ 30°C in 1°C increments.
3. Press the **ON/OFF** button to start the air conditioner.

NOTE

1. In the Auto mode, the air conditioner can logically choose the mode of Cooling, Fan, and Heating by sensing the difference between the actual ambient room temperature and the setting temperature on the remote controller.
2. In the Auto mode, you can not switch the fan speed. It has already been automatically controlled.
3. If the Auto mode is not comfortable for you, the desired mode can be selected manually.



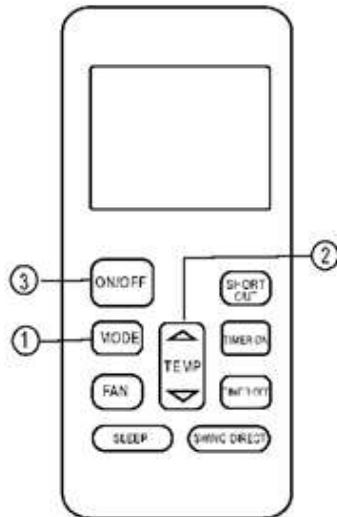
Cooling /Heating/Fan operation

Ensure the unit is plugged in and power is available.

1. Press the **MODE** button to select COOL, HEAT(cooling & heating models only) or FAN mode.
2. Press the **UP/DOWN** buttons to set the desired temperature. The temperature can be set within a range of 17°C~ 30°C in 1°C increments.
3. Press the **FAN** button to select the fan speed in four steps- Auto, Low, Med, or High.
4. Press the **ON/OFF** button to start the air conditioner.

NOTE

In the FAN mode, the setting temperature is not displayed in the remote controller and you are not able to control the room temperature either. In this case, only step 1, 3 and 4 may be performed.



Dehumidifying operation

Ensure the unit is plugged in and power is available. The OPERATION indicator on the display panel of the indoor unit starts flashing.

1. Press the **MODE** button to select DRY mode.
2. Press the **UP/DOWN** buttons to set the desired temperature. The temperature can be set within a range of 17^oC~ 30^oC in 1^oC increments.
3. Press the **ON/OFF** button to start the air conditioner.

NOTE

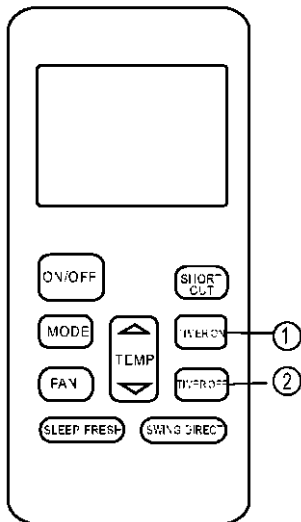
In the Dehumidifying mode, you can not switch the fan speed. It has already been automatically controlled.

Adjusting air flow direction

Use the SWING and DIRECT button to adjust the desired airflow direction.

1. When push the DIRECT button, the horizontal louver changes 6 degree in angle for each push.
2. When push the SWING button less than 2 seconds, the louver will swing up and down automatically. When push the SWING button long, the louver will swing left and right automatically.

NOTE: When the louver swing or move to a position which would affect the cooling or heating effect of the air conditioner, it would automatically change the swing/moving direction.



Timer operation

Press the TIMER ON button can set the auto-on time of the unit. Press the TIMER OFF button can set the auto-off time of the unit.

To set the Auto-on time.

1. Press the TIMER ON button. The remote controller shows TIMER ON, the last Auto-on setting time and the signal "H" will be shown on the LCD display area. Now it is ready to reset the Auto-on time to START the operation.
2. Push the TIMER ON button again to set desired Auto-on time. Each time you press the button, the time increases by half an hour between 0 and 10 hours and by one hour between 10 and 24 hours.
3. After setting the TIMER ON, there will be a one second delay before the remote controller transmits the signal to the air conditioner. Then, after approximately another 2 seconds, the signal "h" will disappear and the set temperature will re-appear on the LCD display window.

To set the Auto-off time.

1. Press the TIMER OFF button. The remote controller shows TIMER OFF, the last Auto-off setting time and the signal "H" will be shown on the LCD display area. Now it is ready to reset the Auto-off time to stop the operation.
2. Push the TIMER OFF button again to set desired Auto-off time. Each time you press the button, the time increases by half an hour between 0 and 10 hours and by one hour between 10 and 24 hours.
3. After setting the TIMER OFF, there will be a one second delay before the remote controller transmits the signal to the air conditioner. Then, after approximately another 2 seconds, the signal "H" will disappear and the set temperature will re-appear on the LCD display window.

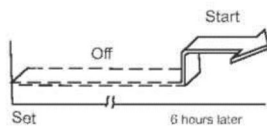
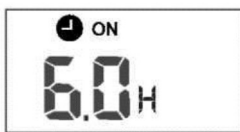


CAUTION

When you select the timer operation, the remote controller automatically transmits the timer signal to the indoor unit for the specified time. Therefore, keep the remote controller in a location where it can transmit the signal to the indoor unit properly.

The effective operation time set by the remote controller for the timer function is limited to the following settings: 0.5, 1.0, 1.5, 2.0, 2.5, 3.0, 3.5, 4.0, 4.5, 5.0, 5.5, 6.0, 6.5, 7.0, 7.5, 8.0, 8.5, 9.0, 9.5, 10, 11, 12, 13, 14, 15, 16, 17, 18, 19, 20, 21, 22, 23 and 24.

Example of timer setting



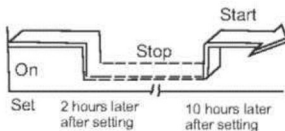
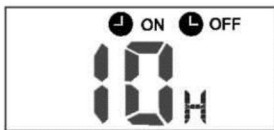
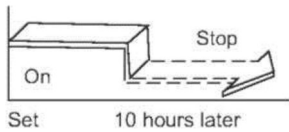
TIMER ON (Auto-on Operation)

The TIMER ON feature is useful when you want the unit to turn on automatically before you return home. The air conditioner will automatically start operating at the set time.

Example:

To start the air conditioner in 6 hours.

1. Press the TIMER ON button, the last setting of starting operation time and the signal "H" will show on the display area.
2. Press the TIMER ON button to display "6.0H" on the TIMER ON display of the remote controller.
3. Wait for 3 seconds and the digital display area will show the temperature again. The "TIMER ON" indicator remains on and this function is activated.



TIMER OFF (Auto-off Operation)

The TIMER OFF feature is useful when you want the unit to turn off automatically after you go to bed. The air conditioner will stop automatically at the set time.

Example:

To stop the air conditioner in 10 hours.

1. Press the TIMER OFF button, the last setting of stopping operation time and the signal "H" will show on the display area.
2. Press the TIMER OFF button to display "10H" on the TIMER OFF display of the remote controller.
3. Wait for 3 seconds and the digital display area will show the temperature again. The "TIMER OFF" indicator remains on and this function is activated.

COMBINED TIMER

(Setting both ON and OFF timers simultaneously)

TIMER OFF — TIMER ON

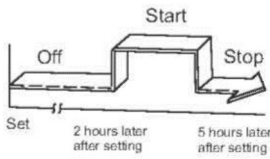
(On — Stop — Start operation)

This feature is useful when you want to stop the air conditioner after you go to bed, and start it again in the morning when you wake up or when you return home.

Example:

To stop the air conditioner 2 hours after setting and start it again 10 hours after setting.

1. Press the TIMER OFF button.
2. Press the TIMER OFF button again to display 2.0H on the TIMER OFF display.
3. Press the TIMER ON button.
4. Press the TIMER ON button again to display 10H on the TIMER ON display .
5. Wait for 3 seconds and the digital display area will show the temperature again. The "TIMER ON OFF" indicator remains on and this function is activated.



TIMER ON — TIMER OFF

(Off — Start — Stop operation)

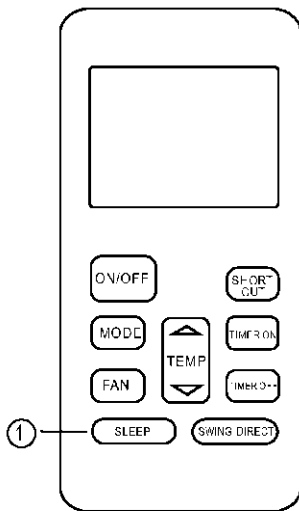
This feature is useful when you want to start the air conditioner before you wake up and stop it after you leave the house.

Example:

To start the air conditioner 2 hours after setting, and stop it 5 hours after setting.

1. Press the TIMER ON button.
2. Press the TIMER ON button again to display 2.0H on the TIMER ON display.
3. Press the TIMER OFF button.
4. Press the TIMER OFF button again to display 5.0H on the TIMER OFF display .
5. Wait for 3 seconds and the digital display area will show the temperature again. The "TIMER ON OFF" indicator remains on and this function is activated.

NOTE: The timer setting(TIMER ON or TIMER OFF) that in sequence occurs directly after the set time will be activated first.



SLEEP/FRESH function

- The sleep function enables the unit to automatically increase(cooling) or decrease(heating) 1°C per hour for the first two hours, then hold steady for the next 5 hours, after that the unit will stop operation. It can maintain the most comfortable temperature and save energy.

NOTE: The SLEEP function is only available under Cooling, Heating and AUTO operations.

CONTENTS



1. SAFETY PRECAUTION	2
2. SUMMARIZE	2
3. FUNCTION SUMMARY	2
4. NAME AND FUNCTION OF INDICATORS ON THE WIRE CONTROLLER.....	3
5. INSTALLATION METHOD	4
6. NAME AND OPERATION OF THE BUTTON ON THE WIRE CONTROLLER.....	4
7. USING METHOD	6
AUTOMATIC OPERATION	6
COOLING/HEATING/FAN ONLY OPERATION	6
DRY OPERATION	6
TIMER SETTING	6
TIMER ON AND TIMER OFF BOTH	6
CHANGE TIMER	6
8. TECHNICAL INDICATION AND REQUIREMENT	7

- This manual gives detailed description of the precautions that should be brought to your attention during operation.
- In order to ensure correct service of the wired controller please read this manual carefully before using the unit.
- For convenience of future reference, keep this manual after reading it.
- The wired controller will reset to factory setting with auto mode, auto fan and 24°C(76°F) setting temperature when the air conditioner restarts after power failure. And this may cause inconsistent displays on the wired controller and on the air conditioner. You need to readjust the running status through the wired controller.



1. SAFETY PRECAUTIONS

The following contents are stated on the product and the operation manual, including usage, precautions against personal harm and property loss, and the methods of using the product correctly and safely. After fully understanding the following contents (identifiers and icons), read the text body and observe the following rules.



Identifier description

Identifier	Meaning
 Warning	Means improper handling may lead to personal death or severe injury
 Caution	Means improper handling may lead to personal injury or property loss.
<p>[Note]: 1. "Harm" means injury, burn and electric shock which need long-term treatment but need no hospitalization 2. "Property loss" means loss of properties and materials.</p>	

Icon description

Icon	Meaning
	It indicates forbidding. The forbidden subject-matter is indicated in the icon or by images or characters aside.
	It indicates compulsory implementation. The compulsory subject-matter is indicated in the icon or by images or characters aside.

Warning

 Warning	Delegate installation	Please entrust the distributor or professionals to install the unit. The installers must have the relevant know-how. Improper installation performed by the user without permission may cause fire, electric shock, personal injury or water leakage.
 Usage Warning	Forbid	Do not spray flammable aerosol to the wire controller directly. Otherwise, fire may occur.
	Forbid	Do not operate with wet hands or let water enter the wire controller. Otherwise, electric shock may occur.

2. SUMMARIZE

Usage condition:

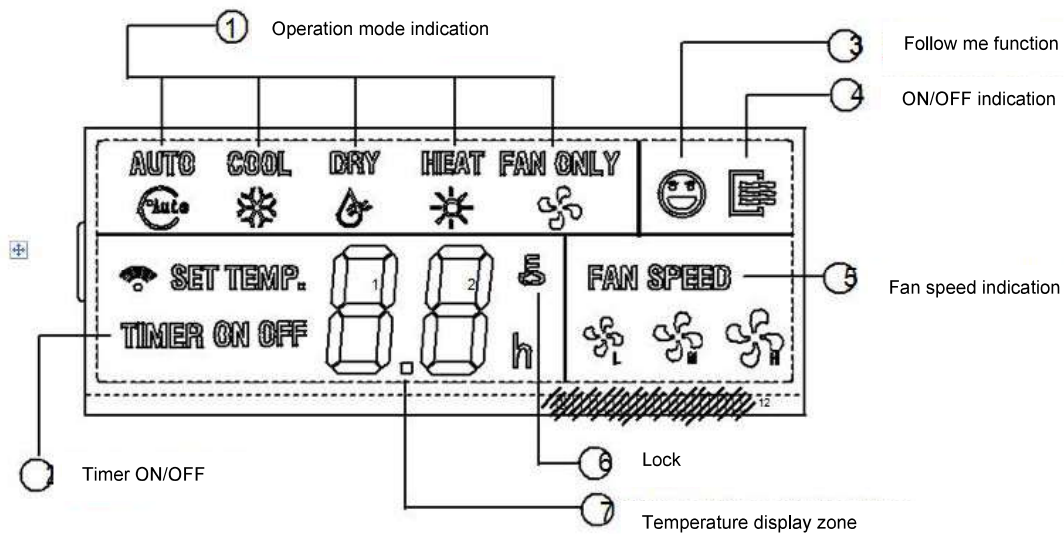
1. Power supply: 5V DC.
2. Operation temperature:
-15°C (-5°F) ~ +43°C (+109°F).
3. Operation humidity: 40%-90%, RH.

3. FUNCTION SUMMARY

Main function:

1. Connecting to indoor unit by A, B, C, D, E terminals.
2. Button setting action mode.
3. LCD display.
4. Timer for rest time.

4. NAME AND FUNCTION OF INDICATORS ON THE CONTROLLER



1. Operation mode indication:

When press " MODE " button, the follow-ing mode can be selected in circle. Auto→Cool →Dry→Heat→Fan only→Auto. For cooling only model,heat mode is skipped.

2. Timer :

When adjust setting on time or only on time is set, the "ON" is lighted. When adjust setting off time or only off time is set , the "OFF" is lighted. If on and off timer are both set, the"ON" and "OFF"are both lighted.

3. Follow me function:

There is a temperature sensor inside the wire controller, after setting temperature, it will compare the two temperatures, and the space of wire controller will be the same as setting temperature. It is available under cooling, heating, auto mode.

4. ON/OFF indication :

When it is on, the icon display, otherwise it is extinguished.

5. Fan speed indication :

There are four fan modes : low, middle, high, auto. For some models, no middle fan then the middle fan is seen as high speed.

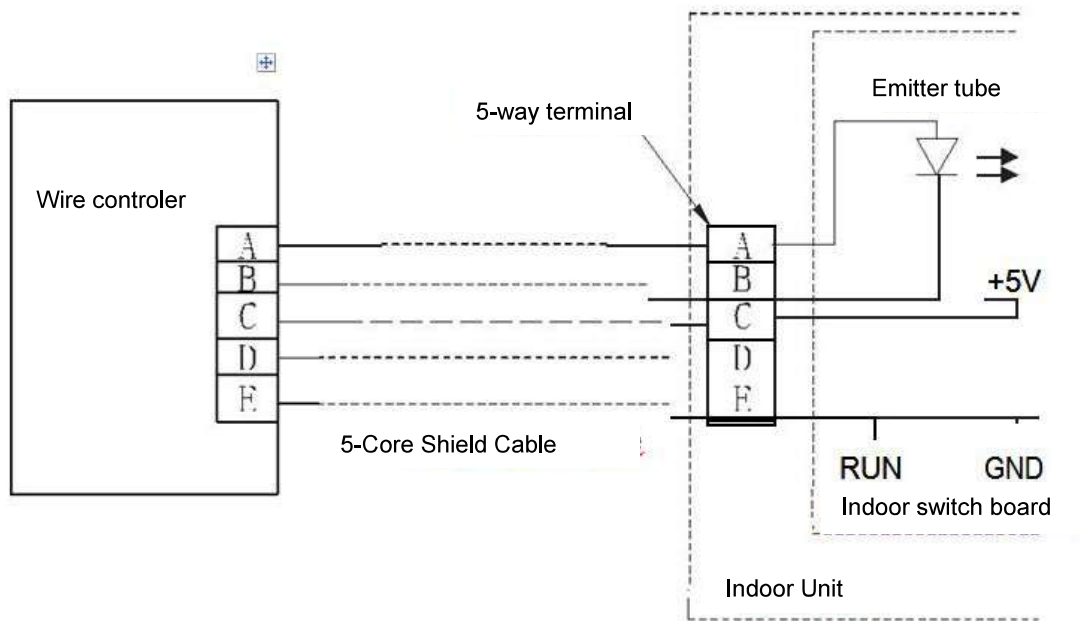
6. Lock:

When the " LOCK " button is pressed, the icon appear and other buttons is unable, press again, the icon disappear.

7. Temperature display zone:

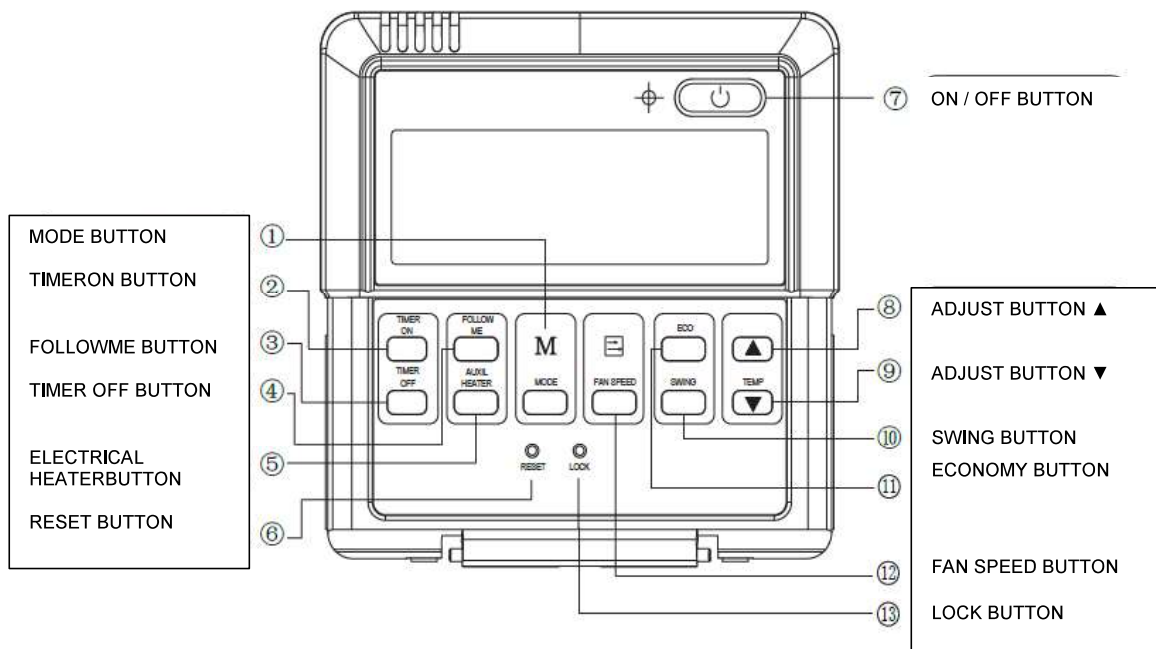
Generally it displays setting tempera-ture, it can be adjusted by press temperature button ▲ and ▼. But in fan mode, no display here.

5. INSTALLATION METHOD



When a wire controller is needed, a small 5-way terminal should be added, fix an infrared emitter with gumwater near the receiver on the switch board. Connect its anode and cathode to A and B, and +5V, GND, RUN to C, D, E on the switch board.

6. NAME AND OPERATION OF THE BUTTON ON THE WIRE CONTROLLER

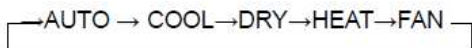


NOTE

All the pictures in this manual are for explanation purpose only. There may be slightly different from the wire controller you purchased (depend on model). The actual shape shall prevail.

1.Mode button:

When press this button,the operation mode change as the following sequence:



Remark: For the cooling only model, the heating mode is skipped.

2.Timer on button :

Press this button, timer on function is active. Then every press, the time increase 0.5h, after 10h, 1h increase-ment after each press. If cancel this Function, just set it to "0.0" .

3.Timer off button:

Press this button, timer off function is active.Then every press, the time increase 0.5h, after 10h, 1h increase-ment after each press. If cancel this function, just set it to "0.0" .

4.Follow me button :

When under cool, heat and auto mode, press this button, follow me function is active. Pressing the ON/OFF button or MODE button will not cancel the Follow me feature. This function is disable when the unit is off or under DRY or FAN mode. Pressing the FOLLOW ME button again will cancel the follow me feature.

5.Electrical heater button :

If press this button in heat mode, electri-cal heater function become ineffective.

6. Reset button(hidden):

Use a 1mm stick to press in the little hole, then the current setting is canceled. The wire controller enter into original state.

7.ON/OFF button:

When in off state, press this button, the indicator is on, the wire controller enter into on state, and send setting information to in door Pcb. When in on state,press this button, the indicator is off, and send instruction. If timer on or timer off has been set, it cancel this setting then send instruction to stop the machine.

8. Adjust button ▲ :

Set indoor temperature up. If press and hold on, it will increase at 1°C(2°F) per 0.5 second.

9.Adjust button ▼ :

Set indoor temperature down. if press and hold on, it will decrease at 1°C(2°F) per 0.5 second.

10. Swing button:

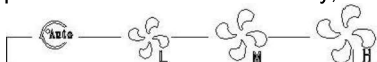
First press, start swing function;second press, stop swing. (Match to some model with swing function).

11. Economy operation button :

press this button, the indoor unit operates in economy mode, press again, exit this mode (it may be ineffective for some models)

12. Fan speed button:

press this button consecutively, the fan speed will circle as follow:



13. Lock button(hidden):

When you push the LOCK button, all current settings are locked in and the wire controller does not accept any operation except that of the LOCK button. Use the lock mode when you want to prevent setting from being changed accidentally or play fully. Push the LOCK button again when you want to cancel the LOCK mode.

7. USING METHOD

AUTOMATIC OPERATION

Connect to power,indoor operation lamp flash.

1. Press "MODE" button, select " AUTO "
2. Press the button "▲" and "▼", set temperature you want, generally it is among 17°C(62°F)~30°C(88°F);
3. Press " ON/OFF" button, operation lamp is on, the air-conditioner work in auto mode, indoor fan is auto, and can not be changed. Auto is displayed on LCD. Press ON/OFF button again to stop.
4. Economy operation is valid in auto mode.
5. In event of power interruption such as a blackout, the air conditioner stops once. But it restarts automatically and performs previous operation when the power supply is resumed.

COOL/HEAT/FAN MODE OPERA-TION

1. Press "MODE" button, select "COOL", "HEAT" or "FAN ONLY" mode.
2. Press temperature adjust button to select setting temp.
3. Press "FAN SPEED" button to select high/mid/low/auto.
4. Press "ON/OFF" button, indoor unit operation lamp on, it works in selected mode. Press "ON/OFF" button again, it stops to work.

Remark: When in fan mode, no tempera-ture can be set.

DRY OPERATION

1. Press " MODE " button, select " DRY " mode.
2. Press temperature adjust button to select setting temp.
3. Press " ON/OFF " button, indoor unit operation lamp on, it works in dry mode. Press ON/OFF button again, it stops to work.
4. In dry mode, economy operation and fan speed are ineffective.

TIMER SETTING

Timer on only:

1. Press " TIME ON " button, it display "SET" on LCD, and display " H " and "ON" , it is waiting for timer on setting.
2. Press " timer " on button repeatedly to adjust time setting.
3. If press this button and hold on, the time will increase at 0.5h, after 10h, it increase at 1h.
4. After setting 0.5 second, the wire controller send timer on information, it is finished.

Timer off only:

1. Press "TIME OFF " button, it display "SET" on LCD, and display " H " and ON, it is waiting for timer on setting.
2. Press "TIME OFF" button repeatedly to adjust time setting.
3. If press this button and hold on , the time will increase at 0.5h, after 10h, it increase at 1h.
4. After setting 0.5 second, the wire controller send timer off information, it is finished.

TIMER ON AND TIMER OFF BOTH

1. Set timer on time as the correspond-ing step1 and 2.
2. Set timer off time as the correspond-ing step1 and 2.
3. Timer off time must be longer than timer on time.
4. 0.5 second after setting, the wire controller send information.the setting is finished.

CHANGE TIMER

If there is a need of changing timer time, press corresponding button to revise it. If cancel timer, change timer time to 0.0.

NOTE

The timer time is relative time,that is delay after setting time(i, e: setting time is 8:05 A,M). So when imer is set, the standard time can not be adjusted.

8. TECHNICAL INDICATION AND REQUIREMENT

EMC and EMI comply with the CE certification requirements.