

# BIOPEL MINI BIOPEL MINI PLUS CA BIOPEL MINI TOWER

The Biopel MINI boiler product line is characterised by very small dimensions, this allows the boiler to be installed even in the smallest areas. Easy access to the burner and the boiler exchanger ensures simple and fast boiler maintenance.

The equipment's eco-friendly nature is due to very low emissions. A wide range of accessories can increase the operation and control automation of the entire heating system in your house.

Remotely monitoring your heating with your mobile phone gives you an overview of the temperatures in the house and the condition of the heating system regardless of where you are.



ECO  
DESIGN

5-YEAR  
GUARANTEE



BIOPEL MINI



BIOPEL MINI PLUS CA

The **BioPel MINI** pellet boiler product line provides high comfort in pellet heating and allows very simple control of the control unit. The control unit is equipped with a touch screen, allowing setting and changing all parameters via the Internet, communication with the solar collector unit, heating control based on the outdoor temperature and is equipped with many other advanced functions. It also enables the connection of a wide range of accessories. For easier setting and subsequent boiler control, there is the possibility of calibrating the pellet feeder, ensuring quality combustion and adequate boiler performance. Calibration enables setting the boiler parameters according to the type of pellets used. An online system for controlling the boiler via the Internet, the possibility of controlling a room thermostat and controlling the heating system via a mobile phone are part of the standard delivery.

Both the boiler and hopper have minimal dimensions and can be placed in very small boiler rooms. The boilers can be supplemented with automatic burner and exchanger compressor cleaning, which minimises the requirements for boiler cleaning and ash removal.

In addition, **BIOPEL MINI PLUS CA** pellet boilers are already equipped from the factory with an installed burner and heat exchanger compressor cleaning and automatic ash removal.

**Output:** 11 - 40 kW

**Fuel:** Wood pellets 6-8 mm diameter

**Economic operation:**

Efficient heating - efficiency up to 93.7%  
Low pellet consumption

**Eco-friendly**

Class 5 emission and ecodesign - low emissions  
Pellets - a renewable heating source

**Comfortable operation and maintenance**

Easy control unit set-up  
Possibility of control via a PC  
Possibility of automatic ash removal  
Possibility of automatic burner and exchanger cleaning  
Possibility to control 2 mixing valves

Remote control with 2 room thermostats  
Possibility to connect 5 pumps  
Equithermal control based on outdoor temperature  
Control of storage tank heating with temperature sensors  
Mobile phone application

**Long service life**

Stainless steel burner

Reliable electronic components

**Very small dimensions**

The set with a compact container is space-saving - width from 708 mm

## BIOPEL MINIHIGHLIGHTS

Boilers from the Biopel MINI line have a wide variety of functions and accessories that can be connected to the boiler. You can learn more about what our boilers can do below.



The V9 MINI control unit with a touch screen not only controls the boiler, but also all the heating system components, including hot water heating, storage tank, underfloor heating.

The possibility to control and monitor the boiler remotely using the mobile phone application is a matter of course, and is free of charge with every Biopel MINI boiler.

Thanks to a simple boiler setting and control, the Biopel MINI can be controlled by anyone.



The Biopel MINI pellet burner ensures combustion with absolute minimal emissions, which are considerably lower than the strictest Czech and European standards.

Thanks to the combustion system using primary and secondary air, combustion at high temperatures is ensured, not only enabling low emissions, but also minimal ash, therefore, it does not need cleaning so often. The burner is located on the door, which, when opened, ensures easy access to the burner grate and its convenient cleaning.



The variability of pellet hoppers provides the customer with a choice of several versions and sizes so that the final installation always meets their wishes. Do you have a small boiler room? Choose a small compact hopper that, together with the boiler, and needs only 71 to 84 cm in width. Do you have a larger boiler room? Choose a larger hopper with a capacity of up to 350 kg of pellets, for maximum comfort. The pellets last longer than a week without refilling. The pellet hopper can be easily installed both on the left and right of the boiler, according to your boiler room's dispositions.



Automatic cleaning with a compressor extends the manual cleaning intervals by up to six-months. Not only the burner grill is regularly cleaned with compressed air, the partitions in the boiler exchanger are also cleaned. All this is controlled by the boiler at regular intervals so that the exchanger and the burner remain clean in the long-term without the need for manual cleaning. No moving parts inside the boiler are used for air cleaning. Therefore, cleaning is technically simple, without the risk having the mechanical parts stuck or damaged by heat inside the boiler.



Automatic ash removal moves the ash from the boiler to an external container. The ash is compacted in the container so that it can contain as much as possible.

Therefore, the ash removal interval is extended to several months before the external container is filled, which can then be easily taken out of the boiler and emptied.



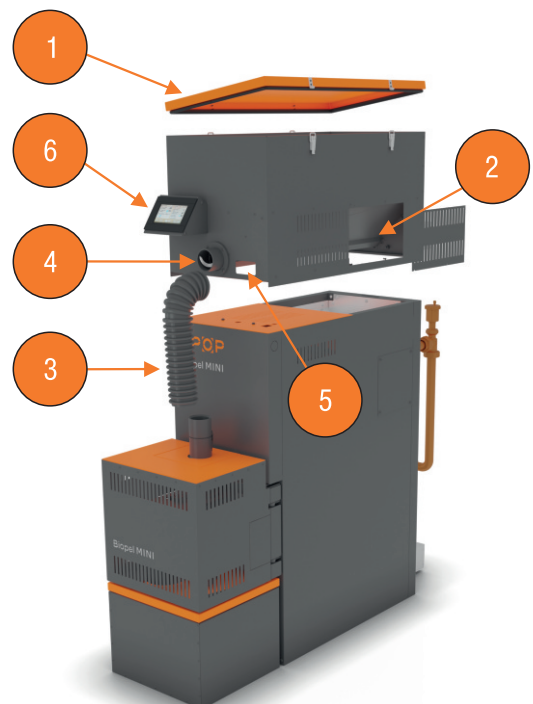
The pump set together with the thermostatic or mixing valve allows quick and easy installation on the Biopel MINI. This installed assembly has compact dimensions and does not take up much space behind the boiler. At the same time, it represents complete heating water regulation in the system, without the need to purchase additional control elements. All in the compact version just behind the boiler and controlled by the boiler unit V9 MINI. This ensures maximum heating efficiency and, simultaneously allows control of the entire heating system without the need to purchase additional superior control systems.

## BIOPEL **MINI TOWER**

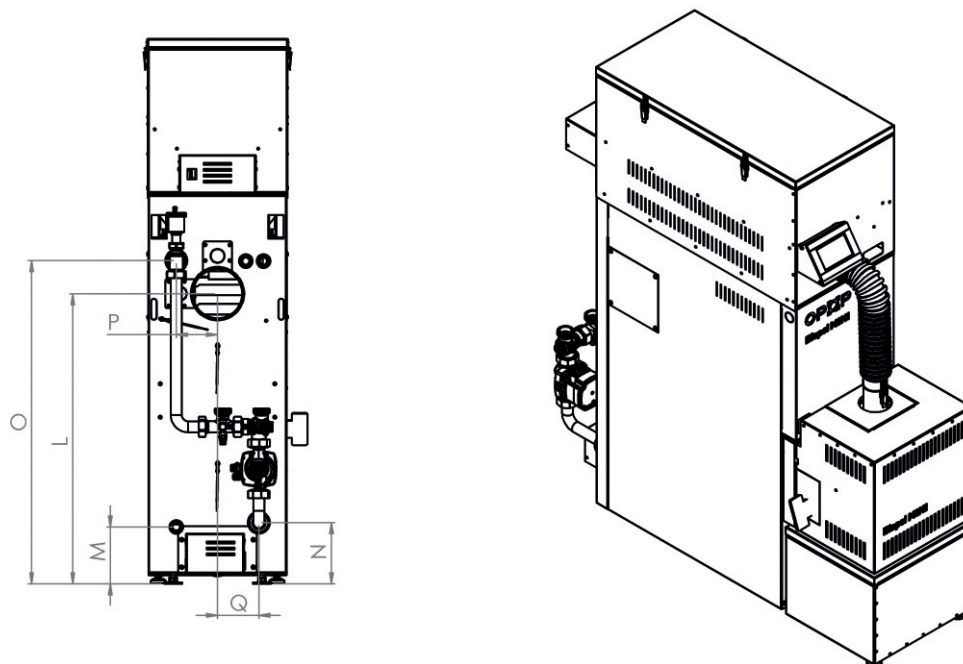
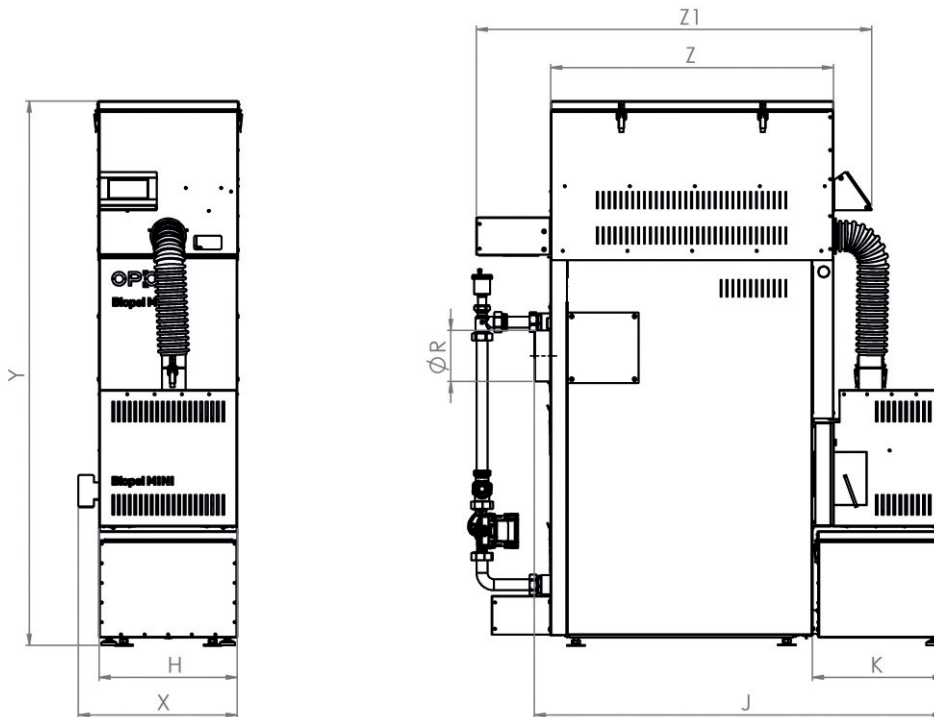


A BIOPEL MINI with **Tower** hopper can even be installed in the tiniest of rooms. The **Tower** pellet hopper is placed directly on the boiler. The width of the 11-15 kW boiler including the hopper, does not exceed 35.2 cm and the width of the 21 - 40 kW boiler is 48.2 cm. It is necessary to remove the hopper from the boiler in an empty state to clean it, use the cleaning hole on the top of the lid. The container is only put on the boiler, so it can be removed easily and quickly.

1. The hopper lid is removable so refilling pellets is as convenient as possible.
2. The feeder motor, which transports the pellets to the burner, is located at the back of the hopper.
3. The boiler exchanger cleaning hole is located under the pellet hopper. Maintenance is fast and only takes a few minutes.
4. The pellets enter into the burner through a PVC hose which is equipped with a quick coupling, ensuring easy dis-assembly should maintenance be necessary on the equip-ment.
5. Main feeder outlet. The pellets are fed through this opening through a PVC hose to the burner, where the combustion process takes place.
6. Hole for access to the control unit's main switch.

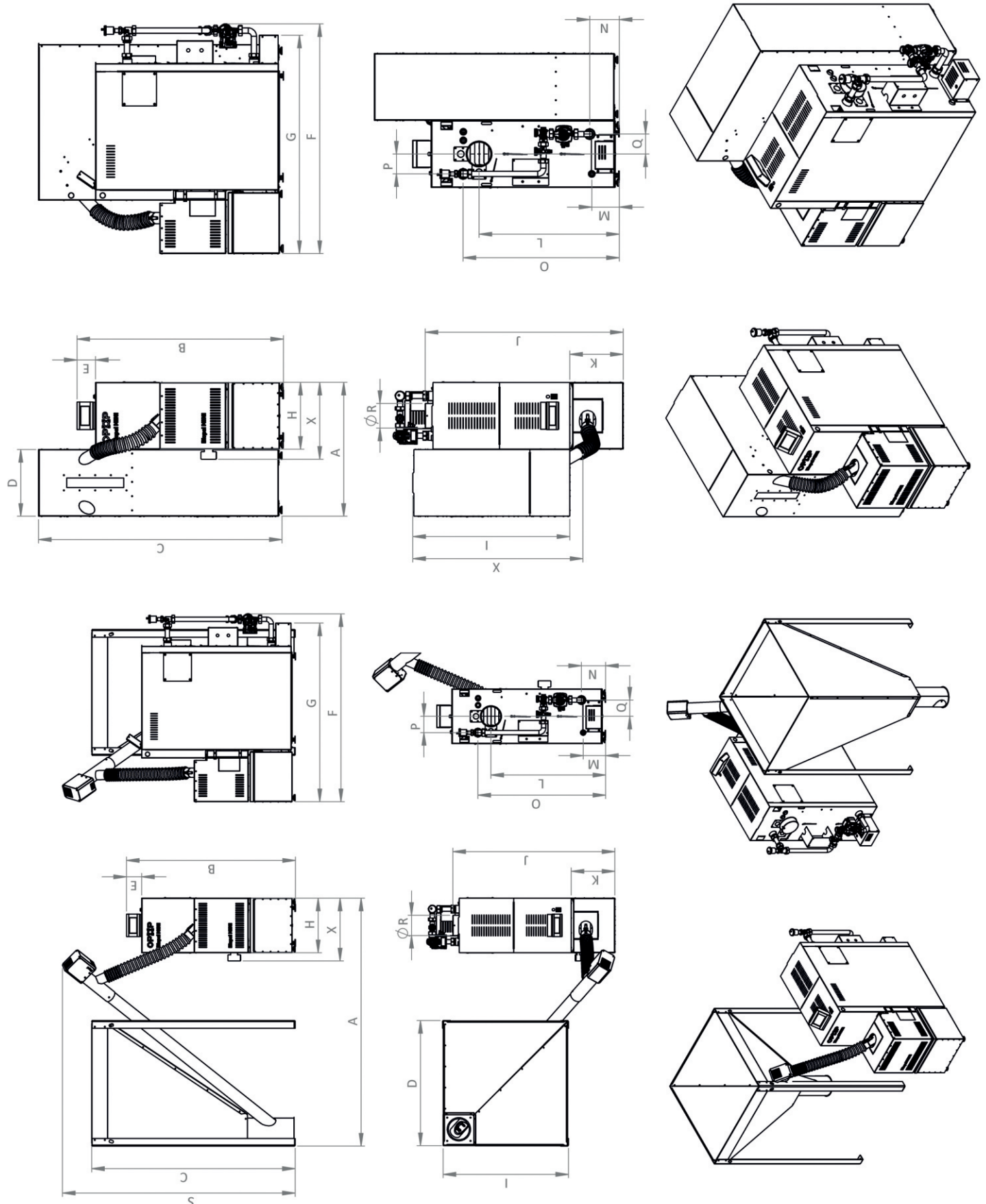


**BIOPEL MINI TOWER DIMENSIONS**



Dimensions with compact TOWER hopper			
Y - total boiler height including the container type: TOWER 40	[mm]	1386	-
Y - total boiler height including the container type: TOWER 60	[mm]	-	1556
Z - depth of compact container type: TOWER 40	[mm]	720	-
Z - depth of compact container type: TOWER 60	[mm]	-	820
Z1 - depth compact container incl. accessories type: TOWER 40	[mm]	1010	-
Z1 - depth compact container incl. accessories type: TOWER 60	[mm]	-	1110
container volume type: TOWER 40 (pellets 6mm) / weight	[kg/kg]		40 / 16
container volume type: TOWER 60 (pellets 6mm) / weight	[kg/kg]		60 / 19

**BIOPEL MINI TOWER DIMENSIONS**



BOILER MODEL		BIOPEL MINI 11	BIOPEL MINI 15	BIOPEL MINI 21	BIOPEL MINI 30	BIOPEL MINI 40
Dimensions						
Funnel type: Output / Inlet (inner thread)	Js	G 1 1/4"				
Connection for draining and filling (inner thread)	Js	G 1/2"				
B - Boiler height	(mm)	1088		1257		
H - Boiler width	(mm)	352		482		
J - Boiler depth including burner cover	(mm)	1043		1170		
K - Burner cover depth	(mm)	281		308		
E - Display height	(mm)	98				
G - Total depth with automatic ash removal	(mm)	1162		1277		
F - Total depth with hydraulic set	(mm)	1212		1338		
O - Outlet water funnel position from the ground	(mm)	822		992		
L - Flue position from the ground	(mm)	739		898		
N - Inlet water funnel position from the ground	(mm)	156				
M - Water drain funnel position from the ground	(mm)	145				
P - Outlet water funnel position from the flue	(mm)	106		155		
Q - Inlet water funnel position from the flue	(mm)	106		155		
R - Flue diameter	(mm)	130		150		
X - Boiler width incl. handle	(mm)	406		538		
Dimensions with external container						
A - total boiler width including container (flexible dimension)	(mm)	1600		1730		
S - total boiler width including feeder (flexible dimension)	(mm)	1500				
Container 60x60 - (D - width / 1 - depth)	(mm)	600 / 600				
Container 80x80 - (D - width / 1 - depth)	(mm)	815 / 815				
Container 100x100 - (D - width / 1 - depth)	(mm)	1000 / 1000				
Extended container 60x60 - (L width / M depth)	(mm)	815 / 1420				
C - Hopper height	(mm)	1300				
Container capacity 60x60 (pellets 6mm) / weight	(kg)	110 / 25				
Container capacity 80x80 (pellets 6mm) / weight	(kg)	220 / 29				
Container capacity 100x100 (pellets 6mm) / weight	(kg)	300 / 35				
Container capacity 81.5x142 (pellets 6mm) / weight	(kg)	350 / 38				
Dimensions with a compact container						
A - Total boiler width including container type: KOMPAKT 150	(mm)	708		838		
A - Total boiler width including container type: KOMPAKT 225	(mm)	838		968		
C - Total KOMPAKT container height (150/225)	(mm)	1283				
C - Total KOMPAKT container width (150/225)	(mm)	354 / 484				
I - Compact container width (150/225)	(mm)	827				
X - Compact container width incl. feeder (150/225)	(mm)	891				
container volume type: KOMPAKT 150 (pellets 6mm) / weight	(kg)	150 / 39				
container capacity type: KOMPAKT 225 (pellets 6mm) / weight	(kg)	225 / 45				

Technical parameters:		BIOPEL MINI 11	BIOPEL MINI 15	BIOPEL MINI 21	BIOPEL MINI 30	BIOPEL MINI 40
Nominal output	kW	11	15	21	30	40
Minimal output	kW	3,3	4,7	6	8,9	11,8
<b>Guaranteed fuel</b>		<b>wood pellets 6-8mm</b>				
Fuel consumption (at boiler nominal output)	kg/h	2,36	3,36	4,68	6,52	8,42
Fuel consumption (at boiler minimal output)	kg/h	0,77	1,01	1,38	1,96	2,64
Emission class *1		5 / Ecodesign				
Efficiency *1	%	93,6	93,7	92,9	93,5	93,6
Water volume	L	32		54		
Operational chimney draught	Pa	5,5	7,5	8	11	11
Maximum operating water pressure	Bar	2				
Maximum heated water temperature	°C	80				
Minimum return water temperature	°C	55				
Flue gas temperature (at boiler nominal output)	°C	85	101	102	107	117
Weight	kg	160			240	
Connecting voltage	V/Hz	230 V / 50 Hz ± 10%				